

- Slide the straightener down the length of the hair for 5 seconds, from root to hair end, without stopping to prevent overheating (Fig. 4).
- Repeat this process after 20 seconds until you have achieved the desired look.
- Let your hair cool down. Do not comb or brush it before it has cooled down, as this would ruin the hairstyle you have just created.

#### Styling with the attachment for twists and flicks

- Decide if you want to create inward or outward flicks. Hold the appliance in such a way that the curved plates will create the desired type of flick.
- Take a section that is approximately 3-4cm wide.
- Place lock between the plates approx. 3-5cm above the hair ends and press the handles of the appliance firmly together.
- Slide the styler gently down the length of the hair in a few seconds. When the plates are 3-5cm above the end of the lock, slightly twist the appliance in the direction of the desired flicks to get an optimal effect. Don't stop while you slide the styler down the lock to prevent overheating (Fig. 5).
- Repeat this process after 20 seconds until you have achieved the desired look.
- Let the hair cool down. Do not comb or brush it before it has cooled down, as this would ruin the hairstyle you have just created.

#### Styling with the attachment for creating volume in layered styles

- Take a section that is 2-3cm wide. If you have a layered style, make sure the section consists of hair of the same length and layer.
- Place the hair between the plates in such a way that the tip of the attachment is close to the hair roots.

Make sure you do not touch your scalp with the tip of the attachment to prevent burning your skin.

- Press the handles of the appliance firmly together.
- Slide the styler gently down the length of the hair in a few seconds, from root to hair end, without stopping to prevent overheating.
- Repeat this process after 20 seconds until you have achieved the desired look.
- Let your hair to cool down. Do not comb or brush it before it has cooled down, as this would ruin the hairstyle you have just created.

#### Changing the attachments

- Switch off the appliance.
- Wait until the appliance has slightly cooled down.
- Press the release button at the top of each handle (Fig. 6).

*Note: You have to release both attachment parts separately*

- Grasp the cool grip area with two fingers and gently pull the attachment parts out of the handles.

The attachment parts can still be hot. Always make sure you put them on a heat-resistant surface.

- Insert the parts of the attachment you want to use into the handles and push them home ('click').

#### Cleaning

- Make sure the appliance is switched off and unplugged.
- Let the appliance cool down completely on a heat-resistant surface.
- Clean the appliance with a damp cloth.

#### Storage

Never wind the mains cord round the appliance.

- Make sure the appliance is switched off and unplugged.
- Let the appliance cool down on a heat-resistant surface before you store it.
- To lock the plates, grab the handle and turn the easy-lock system clockwise (Fig. 7).

#### Environment

- Do not throw away the appliance with the normal household waste at the end of its life, but hand it in at an official collection point for recycling. By doing this, you help to preserve the environment (Fig. 8).

#### Guarantee & service

If you need information or if you have a problem, please visit the Philips website at [www.philips.com](http://www.philips.com) or contact the Philips Customer Care Centre in your country (you find its phone number in the worldwide guarantee leaflet). If there is no Customer Care Centre in your country, go to your local Philips dealer or contact the Service Department of Philips Domestic Appliances and Personal Care BV.

TRESemmé  
USED BY PROFESSIONALS

HP4681/07 SalonStraight Freestyle



PHILIPS



[www.philips.com](http://www.philips.com)

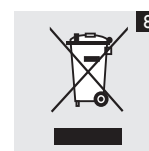
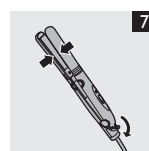
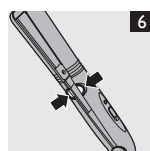
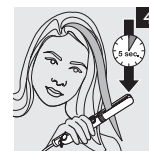
100% recycled paper  
100% papier recyclé

4222.002.6853.2

#### Troubleshooting

If problems arise with your styler and you cannot solve them with the information below, please contact the nearest Philips service centre or the Philips Customer Care Centre in your country.

| Problem                             | Possible cause                                      | Solution  |
|-------------------------------------|---|---|
| The appliance does not work at all. | There is a power failure or the socket is not live. | Check if the power supply works. If it does, plug in another appliance to check whether the socket is live.   |
|                                     | The mains cord is damaged.                          | If the mains cord is damaged, you must have it replaced by Philips, a service centre authorised by Philips or similarly qualified persons in order to avoid a hazard. |



**Introduction**

The new Philips TRESEmmé SalonStraight Freestyle helps you style your hair in any way you want, for every haircut. The ceramic-coated plates ensure ultra-smooth gliding through the hair, allowing you to style at high temperatures in a quick and caring way.

**General description (Fig. 1)**

- A** Straightening attachment
- B** Ceramic-coated plates
- C** Cool grip area
- D** Release buttons
- E** Attachment for creating volume in layered stylers
- F** Attachment for twist & flicks
- G** On/off switch with power-on light
- H** Easy-lock system
- I** Swivel cord

**Important**

Read this user manual carefully before you use the appliance and save it for future reference.

**Danger**

- Keep the appliance away from water. Do not use it near or over water contained in baths, washbasins, sinks etc. When you use the appliance in a bathroom, unplug it after use. The proximity of water presents a risk, even when the appliance is switched off.

**Warning**

- Check if the voltage indicated on the appliance corresponds to the local mains voltage before you connect the appliance.
- Check the condition of the mains cord regularly. Do not use the appliance if the plug, the mains cord or the appliance itself is damaged.
- If the mains cord is damaged, you must have it replaced by Philips, a service centre authorised by Philips or similarly qualified persons in order to avoid a hazard.
- This appliance is not intended for use by persons (including children) with reduced physical, sensory or mental capabilities, or lack of experience and knowledge, unless they have been given supervision or instruction concerning use of the appliance by a person responsible for their safety.
- Children should be supervised to ensure that they do not play with the appliance.
- Keep the appliance away from non-heat-resistant surfaces and never cover the appliance with anything (e.g. a towel or clothing) when it is hot.
- Keep the appliance away from flammable items.
- Always return the appliance to a service centre authorised by Philips for examination or repair. Repair by unqualified people could cause an extremely hazardous situation for the user.

**Caution**

- For additional protection, we advise you to install a residual current device (RCD) in the electrical circuit that supplies the bathroom. This RCD must have a rated residual operating current not higher than 30mA. Ask your installer for advice.
- The plates and the plastic parts near the plates become hot during use. Prevent the hot surfaces of the appliance from coming into contact with your skin.
- Only use the appliance on dry or damp hair.
- Do not use the appliance on artificial hair.
- Do not leave the plates in your hair for more than a few seconds at a time as this may cause damage to your hair.
- Always unplug the appliance after use.
- Do not wind the mains cord round the appliance.
- Wait until the appliance has cooled down before you store it.
- Keep the plates clean and free of dust, dirt and styling products such as mousse, spray and gel. Never use the appliance in combination with styling products.
- The plates have a ceramic coating. This coating slowly wears away over time. This does not affect the performance of the appliance.
- If you use the appliance on colour-treated hair, the plates may stain.
- The maximum temperature occurs just after heating up. The actual temperature during use may be lower.

**Electromagnetic fields (EMF)**

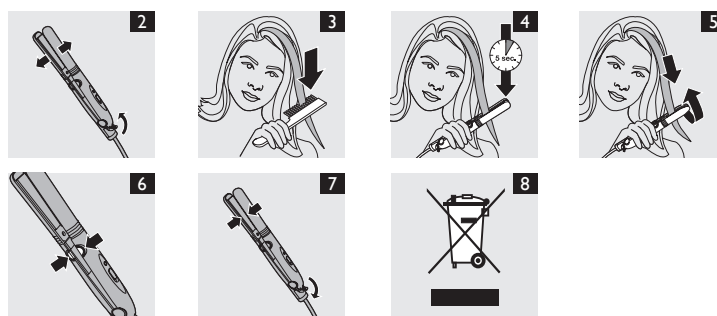
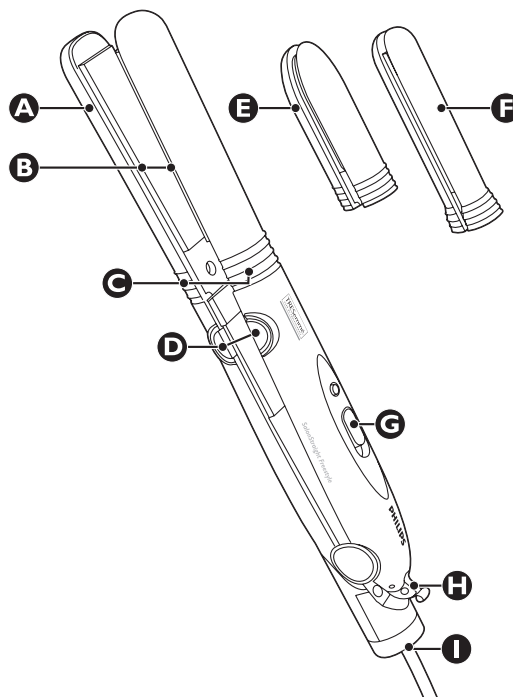
This Philips appliance complies with all standards regarding electromagnetic fields (EMF). If handled properly and according to the instructions in this user manual, the appliance is safe to use based on scientific evidence available today.

**Preparing for use**

**Washing**

The styler gives the best results on well-washed hair. We advise you to follow the washing tips below.

- 1** Wet your hair thoroughly for 30-60 seconds.
- 2** Pour some TRESEmmé shampoo into the palm of your hand. Spread it between your hands and distribute it evenly through the hair.
- 3** Gently massage your hair and scalp. Do not rough up the hair or pull up long hair onto the scalp, as this may cause tangles.
- 4** Massage your scalp with your fingertips. This stimulates blood circulation and is gentler to the hair cuticles.



**5** Rinse your hair thoroughly, as poor rinsing can result in dull hair. Finish with a cold rinse for extra shine.

**Drying**

To get professional styling results, it is essential to prepare your hair for styling. Dry your hair properly with a hairdryer to ensure a professional, smooth finish.

- 1** After washing, squeeze excess water out of the hair with your hands and then towel-dry the hair. Use a comb to disentangle hair gently from the roots to the tips.
- 2** Divide the hair into sections using clips. Start at the back.
- 3** To dry each section, pull a straightening brush down the hair length. Follow the brush with the hairdryer, with its nozzle pointing towards the hair ends.
- 4** When you have finished drying each section, set the hairdryer to the cool setting for a final cool shot. This closes the cuticles and adds shine to the hair.

*Tip: Philips Salon Pro hairdryers have a lower drying temperature and a stronger airflow than regular dryers. Thanks to this combination, they dry just as quickly as regular hairdryers but in a gentler way.*

**Using the appliance**

**Styling your hair**

Heat stylers are powerful styling tools and must always be used with care.

As with all heat stylers that reach salon high temperatures, do not use the appliance frequently to avoid damage to the hair. If you use the heat styler incorrectly, you could overheat your hair or even burn it. Always follow the steps below.

- 1** Put the mains plug in the wall socket.
- 2** Pull the lock upwards to unlock the appliance if it is locked (Fig. 2).
- 3** Push the on/off slide upwards to switch on the appliance.
  - ▶ The power-on light goes on.
  - ▶ The appliance starts to heat up. The appliance is ready for use within 90 seconds.
- 4** Comb or brush your hair so that it is disentangled and smooth.
- 5** Use a comb to divide the hair into sections. Do not put too much hair in one section (Fig. 3).

*Tip: It is better to section off the crown area and to straighten the hair underneath first, followed by the top area.*

**Styling with the straightening attachment**

- 1** Take a section that is 3-4cm wide. Place it between the straightening plates and press the handles of the appliance firmly together.