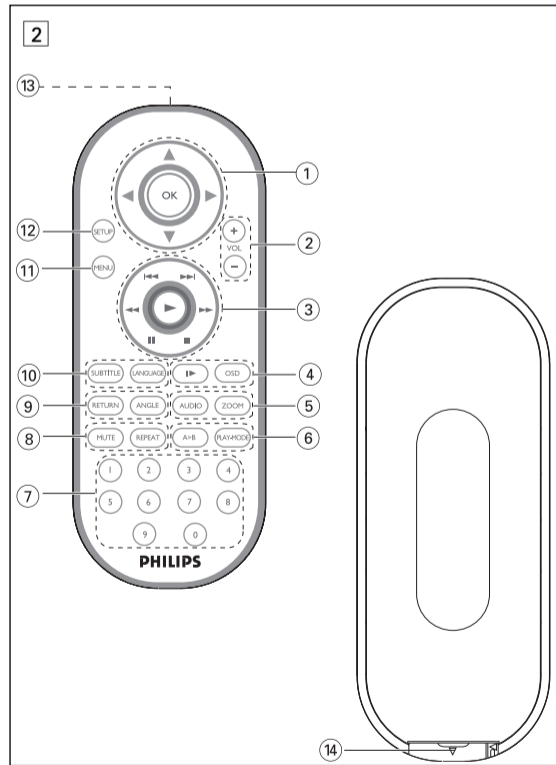
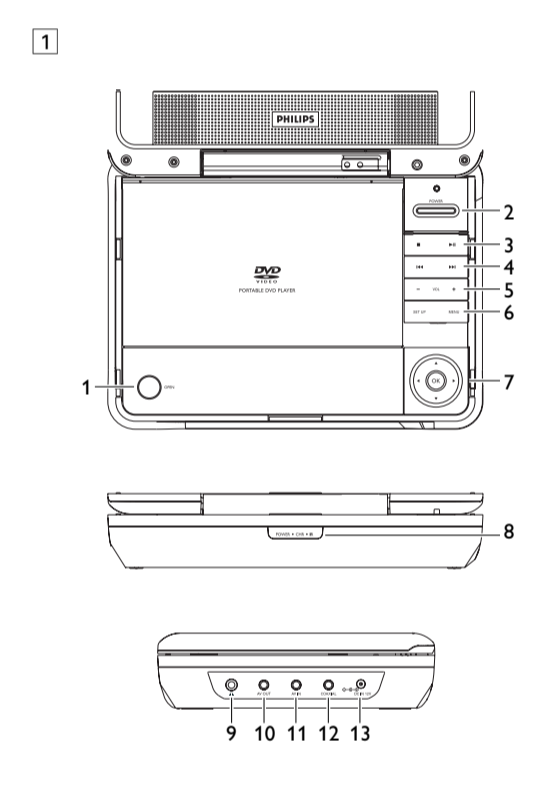




PHILIPS

CLASS 1 LASER PRODUCT, Be responsible Respect copyrights, 说明书会随时修改, 2007 © 荷兰皇家飞利浦电子股份有限公司



处理废旧产品, 您的产品是由可以再生利用的优质材料和组件设计、制造而成的, 聆听时音量要适中, 请务必适度使用您的设备, 使用耳机时必须遵守以下规范

中文 功能概述, 主要单元控制键 (见图 1), 1 OPEN 打开光盘门来插入或者移除光盘, 2 POWER 开关播放器

播放器正面 (见图 1), 8 POWER/CHGIR 电源和充电显示灯/远程感应器

一般信息, 电源, 本装置使用提供的交流适配器、汽车适配器或可充电电池组, 安全和维护, 激光射线对眼睛有害, 切勿拆开本装置

准备, Digital Audio Out (数字音频输出), 提示, 您也可以利用同轴插孔进行数字音频输出, 关于本手册, 除非另作说明, 所有的操作均可通过遥控器进行

一般特微, 慢动作, 按 慢动作 键一次或多次可得如下慢放选项, 改变音频输出, 重复按 AUDIO (音频) 键可得如下音频选项

设置选项, 使用 SETUP (设置) 键仔细地调节您的设置, 以获得最好的播放效果, 1 按 OPEN (设置) 键, 显示功能列表, 2 使用 上下 键突出显示您的选择

功能概述, 播放器右侧 (见图 1), 1 PHONE 耳机插孔, 2 AV OUT (音频/视频输出) 音频/视频输出插孔

注意, 不同于这里的控制键或调整程序可能会导致危险的辐射暴露或其他不安全操作

一般信息, 使用光盘, 切勿在光盘上粘贴纸条或胶带, 关于液晶屏幕的使用, 液晶屏幕为高科技产品, 然而您可能会看见黑点连续地出现在液晶屏幕上

基本功能, 打开屏幕显示设置, 英语是您的播放器屏幕显示默认语言, 您或许会选择使用英语、法语、西班牙语、德语、简体中文或者繁体中文作为您的屏幕显示语言

一般特微, MUTE (静音), 按 MUTE (静音) 键一次使播放器静音, REPEAT (重复), 重复按 REPEAT (重复) 键可得如下重复选项

设置操作, Audio Setup (音频设定), 当光标突出显示这些设置, 按 OK (确认) 键进入, 扬声器设定 选择扬声器选项, 杜比数码设定 选择杜比声选项

遥控器 (见图 2), 1 上下左右 上/下/左/右箭头, OK (确认) 确认选择, 2 VOL +/- (音量增大/减小) 音量控制

准备, 使用交流/直流适配器, 适配器连接本设备和主电源, 提示, 避免损坏播放器, 在插入或拔出交流适配器前先关播放器

准备, 使用汽车适配器, 提供的汽车适配器连接本设备和汽车点烟器外接口, 提示, 避免损坏播放器, 在插入或拔出汽车适配器前先关播放器

基本功能, 播放 DVD 光盘, 开机之后, 插入光盘关闭光盘门, 播放自动开始, 播放 DVD 光盘, 按 播放 键一次或多次可得如下慢放选项

一般特微, Play modes (播放模式), 重复按 PLAY-MODE (播放模式) 键可得如下播放次序选项, 1 乱序, 2 随机, 3 编程

疑难解答, 如果 DVD 视频播放器有故障, 请先参照这张检查表, 警告, 在任何情形下您都不应尝试自己修理本装置, 症状, 没有电源, 检查电源线较两个插头是否适当地连接

介绍, 您的便携式 DVD 播放器符合通用 DVD 视频标准的数字视频光盘, 拥有它, 您可以享受完全长度的真实影院画面质量、立体声或多声道

准备, 装配和更换电池组, 1 关闭本设备, 2 连接电源适配器到主电源设备, 提示, 充电电池电源时, 显示在屏幕上

准备, 使用汽车适配器, 提供的汽车适配器连接本设备和汽车点烟器外接口, 提示, 避免损坏播放器, 在插入或拔出汽车适配器前先关播放器

基本功能, 播放 MP3 光盘, 下面的特微可用于 MP3 光盘, 更多详情请参见相应部分, 音量控制、轨道跳转、搜索、重复、随机、等等, 使用 上下左右 键突出显示您的选择, 按 OK (确认) 键播放

特别的 DVD 特微, 查看 DVD 视频光盘内容: Menus (菜单), 光盘上可能包括标题或幕的选择菜单, DVD 菜单特微允许您从这些菜单中选择, 按相应的数字键, 或使用 上下左右 键突出显示您的选择

疑难解答, 如果 DVD 视频播放器有故障, 请先参照这张检查表, 警告, 在任何情形下您都不应尝试自己修理本装置, 症状, 没有电源, 检查电源线较两个插头是否适当地连接

介绍, 可播放光盘格式, 除了 DVD 视频光盘, 您也可以播放所有的 VCD 和音频 CD (包括 CDR, CDRW, DVD ±R 和 DVR ±RW), DVD 视频, 取决于光盘上的内容 (电影、视频片断、系列剧等等), 这些光盘或许有一个或多个的标题, 每个标题可能有一个章节或更多章节

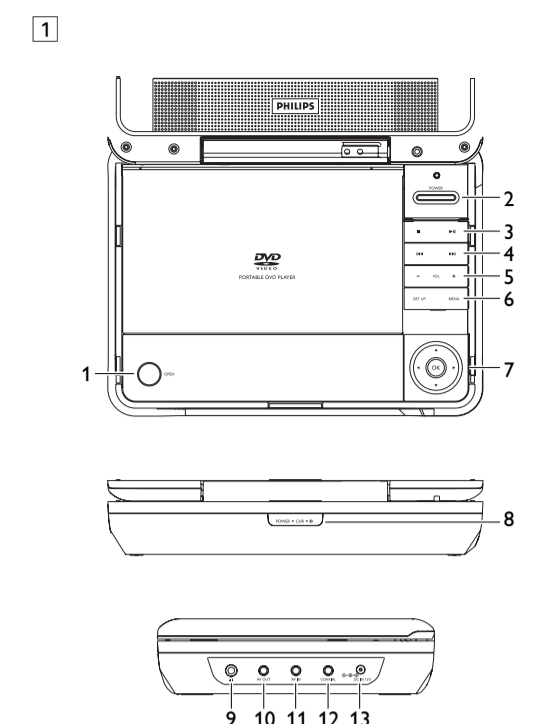
准备, 连接, 连接您的耳机到您的设备的 PHONE 插孔, 连接附加设备, 在连接任何附加设备前先关掉您的设备, 您可以连接播放器到电视机或扩音器来享受 DVD 或卡拉 OK

准备, 连接, 连接您的耳机到您的设备的 PHONE 插孔, 连接附加设备, 在连接任何附加设备前先关掉您的设备, 您可以连接播放器到电视机或扩音器来享受 DVD 或卡拉 OK

一般特微, 转移到另一个标题/轨道/章, 当光盘有不止一个标题或轨道时, 您可转换到另一个标题/轨道/章如下, 播放时短按 上一 键来选前一题目/轨道/章, 播放时短按 下一 键会到上一题目/轨道/章

屏幕显示操作, 除了使用遥控器的键, 您也可以使用屏幕显示改变光盘播放选项, 1 播放时按 OSD (屏幕显示) 键, 显示特微列表, 2 使用 上下 键突出显示您的选择

技术数据, 尺寸, 20.3 x 15.0 x 4.1 cm, 重量, 8 x 5.9 x 1.6 英寸, 0.71 kg / 1.42 lb, CDR 12V 1.5A, DVD 12V 1.5A



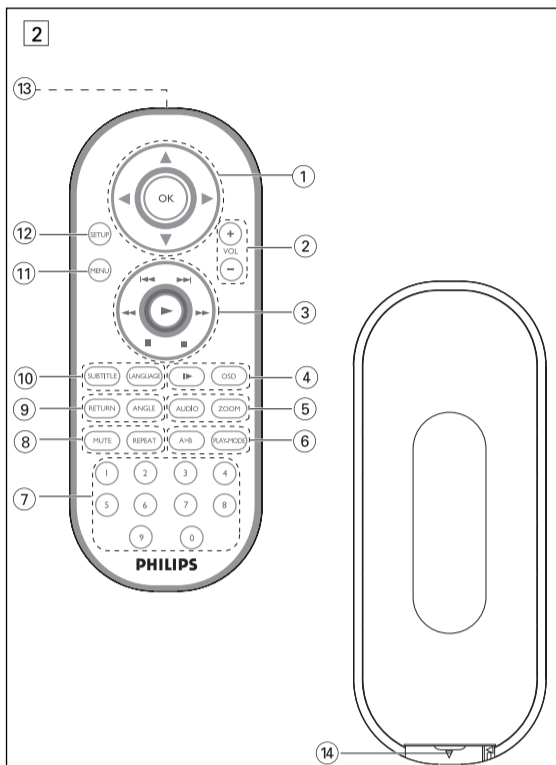
English FUNCTIONAL OVERVIEW

Main unit controls (see figure 1)

- OPEN** Open disc door to insert or remove disc
- POWER** Switch the player on / off
- Press twice to stop playback
- ▶▶** Start/resume playback / Pause playback
- ◀◀** Search backward (◀◀) or search forward (▶▶)
- VOL +** Volume control
- SETUP** Enters **SETUP** menu
- MENU** Display **MENU** page
- ▲▼◀▶** Up / down / left / right cursor
- OK** Confirm selection

Front of player (see figure 1)

- POWER/CHG/IR** Power and charging indicator / Remote sensor



GENERAL INFORMATION

Power Sources

This unit operates on a supplied AC adaptor, car adaptor, or a rechargeable battery pack.

- Make sure that the input voltage of the AC adaptor is in line with the local voltage. Otherwise, the AC adaptor and unit may be damaged.
- Do not touch the AC adaptor with wet hands to prevent electric shock.
- When connecting with car power (cigarette lighter) adaptor, be sure the input voltage of the adaptor is identical with car voltage.
- Unplug the AC adaptor from the outlet or remove the battery pack when the unit is not used for long periods of time.
- Hold the plug to disconnect the AC adaptor. Do not pull the power cord.

Safety and maintenance

- Do not disassemble the unit for laser rays are dangerous to eyes. Any service should be done by qualified service personnel.
- Unplug the AC adaptor to cut the power if liquid or objects get inside the unit.
- Take care not to drop the unit or subject it to strong shocks, which may cause malfunction.
- Do not expose to excessive heat caused by heating equipment or direct sunlight.
- This product is not waterproof. Do not allow your player to be submerged in water. Water entering the player may cause major damage.
- Do not use any cleaning agents containing alcohol, ammonia, benzene, or abrasives as these may harm the player.
- Apparatus shall not be exposed to dripping or splashing. Do not place any sources of danger on the apparatus (e.g. liquid filled objects, lighted candles).
- Do not touch the lens!

Note: When the player is in use for a long period of time, the surface will be heated. This is normal.

GENERAL EXPLANATION

About this manual

This manual gives the basic instructions for operating this DVD player. Some DVD discs however are produced in a way that requires specific operation or allows only limited operation during playback. In these cases the player may not respond to all operating commands. When this occurs, please refer to the instructions in the disc inlay. When a **Ⓞ** appears on the screen, the operation is not permitted by the player or the disc.

Remote control operation

- Unless otherwise stated, all operations can be carried out with the remote control. Always point the remote control directly at the player, making sure there are no obstructions in the path of the infrared beam.
- When there are corresponding keys on the main unit, they can also be used.

Menu navigation

- Your player has an intuitive menu navigation system to guide you through various settings and operations.
- Use the function keys to activate / disable relevant operations.
- Use **▲▼◀▶** to browse through menus.
- Press **OK** key to confirm your selection.

BASIC FUNCTIONS

Switching on for OSD language setup

English is the default language of your player's on screen display. You may choose to use English, French, Spanish, German, Simplified Chinese or Traditional Chinese for your player's on screen display.

Countries OSD language Options

European	English, French, German
American	English, French, Spanish
Asia Pacific	English, Traditional Chinese, Simplified Chinese

- Slide the **POWER** switch to **ON** to switch on the player.
- Press **SETUP** for the set up menu.
- Select **GENERAL SETUP** and press **OK**.
- Scroll and select **OSD LANG** and press **▶** to select from OSD language options.
- Select your preferred language and press **OK**.

Loading discs and switching on

- Press **OPEN** to open the disc door.
- Insert your chosen disc, label side up (also when a double sided DVD disc is inserted). Make sure it is sitting properly in the correct recess.
- Gently push to close the door.
- Slide the **POWER** switch to **ON** to switch on the player.

TIP

A normal mechanical noise is heard during playback.

GENERAL FEATURES

MUTE

Press **MUTE** once to mute player volume. Press **MUTE** again to disable.

REPEAT

Press **REPEAT** repeatedly for the following repeat options:

DVD actions	VCD actions
◀ 1 repeats chapter	repeats track
◀ 2 repeats title	repeats all
◀ 3 repeats all	repeats all
◀ 4 cancels repeat	

Repeat A > B

- To repeat or loop a sequence in a title:
- Press **A > B** at your chosen starting point; **A** appears on the screen.
- Press **A > B** again at your chosen end point; **AB** appears on the display, and the repeat sequence begins.
- To exit the sequence, press **A > B**.

GENERAL FEATURES

Play modes

Press **PLAY-MODE** repeatedly for the following play order options:

x 1	Shuffle	x 2	Random
x 3	Program		

Use **(0-9)** and **OK** to key in specific settings.

Volume Control

- Press **+** / **-** to increase or decrease playback volume in the Remote Control or

TROUBLESHOOTING

If it appears that the DVD-Video player is faulty, first consult this checklist. It may be that something has been overlooked.

WARNING

Under no circumstances should you try to repair the set yourself as this will invalidate the guarantee. If a fault occurs, first check the points listed, before taking the set for repair. If you are unable to solve a problem by following these hints, consult your dealer or service centre.

Symptom	Remedy
No power	<ul style="list-style-type: none"> Check if both plugs of the mains cord are properly connected. Check if there is power at the AC outlet by plugging in another appliance. Check if car adaptor is connected appropriately. Check the disc for fingerprints and clean with a soft cloth, wiping from centre to edge.
Distorted picture	<ul style="list-style-type: none"> Check the disc for fingerprints and clean with a soft cloth, wiping from centre to edge. Sometimes a small amount of picture distortion may appear. This is not a malfunction.
Completely distorted picture / no colour in the TV screen	<ul style="list-style-type: none"> The NTSC/PAL setting may be in the wrong status. Match your TV's setting with the player's setting.
No sound	<ul style="list-style-type: none"> Check audio connections. If using a HiFi amplifier, try another sound source.

This set complies with the radio interference requirements of the European Union.

TROUBLESHOOTING

Symptom	Remedy
Disc can't be played	<ul style="list-style-type: none"> Ensure the disc label is upwards. Clean the disc. Check if the disc is defective by trying another disc.
The player does not respond to the remote control	<ul style="list-style-type: none"> Aim the remote control directly at the sensor on the front of the player. Avoid all obstacles that may interfere with the signal path. Inspect or replace the batteries.
Distorted or B/W picture with DVD	<ul style="list-style-type: none"> Use only discs formatted according to the TV-set used (PAL/NTSC).
No audio at digital output	<ul style="list-style-type: none"> Check the digital connections. Check the SETUP menu to make sure that the digital output is set to on.
Player does not respond to all operating commands during playback	<ul style="list-style-type: none"> Operations are not permitted by the disc. Refer to the instructions in the disc inlay.
Player feels warm	<ul style="list-style-type: none"> When the player is in use for a long period of time, the surface will be heated. This is normal.
Display goes dimmer when AC is unplugged	<ul style="list-style-type: none"> The unit is saving power to ensure longer playtime with battery. It is normal. Adjust the brightness using MONITOR function.

FUNCTIONAL OVERVIEW

Right of player (see figure 1)

- PHONE** Headphones jack
- AV OUT** Audio/Video output jack
- AV IN** Audio/Video input jack
- COAXIAL** Digital audio output jack
- DC IN 12V** Power supply socket

CAUTION

Use of controls or adjustments or performance of procedures other than herein may result in hazardous radiation exposure or other unsafe operation.

GENERAL INFORMATION

Handling discs

- Do not attach paper or tape to the disc.
- Keep the disc away from direct sunlight or heat sources.
- Store the disc in a disc case after playback.
- To clean, wipe the disc outwards from the center with a soft, lint-free clean cloth.

On handling the LCD screen

The LCD is manufactured using high precision technology. You may, however, see tiny black points that continuously appear on the LCD. This is a normal result of the manufacturing process and does not indicate a malfunction.

Environmental information

We have reduced the packaging to its minimum and made it easy to separate into mono materials: cardboard, PS, PE and PET. Your set consists of material which can be recycled if disassembled by a specialized company. Please observe the local regulations to dispose of packaging, exhausted batteries and old equipment.

Copyright information

All other brand and product names are trademarks of their respective companies or organizations. Unauthorized duplication of any recordings downloaded from the internet or made from CDs / VCDs / DVDs is a violation of copyright laws and international treaties. The making of unauthorized copies of copy-protected material, including computer programmes, files, broadcasts and sound recordings, may be an infringement of copyrights and constitute a criminal offence. This equipment should not be used for such purposes.

BASIC FUNCTIONS

Playing a DVD disc

After switching on, inserting the disc and closing the door, playback starts automatically. The screen shows the type of disc loaded. The disc may invite you to select an item from a menu. Use the **▲▼◀▶** keys to highlight your selection, and press **OK**.

Note: Since it is usual for DVD movies to be released at different times in different regions of the world, all players have region codes and discs can have an optional region code. If you load a disc of a different region code to your player, you will see the region code notice on the screen. The disc will not play, and should be unloaded.

Playing an audio or video CD disc

- After switching on, inserting the disc and closing the door, the screen shows the type of disc loaded as well as information about the disc's contents. Press **▶** to start playback.
- While playing VCD with MTV/Karaoke, press number keys(0-9) to select the track and press **▶** or **OK** to play the track. Press **RETURN** to go back to menu of the selection.

Playing DivX® disc

- Philips provide you the DivX® VOD(Video on Demand) registration code that allows you to rent and purchase videos using the DivX® VOD service. For more information, visit www.divx.com/vod.
- Selection of the DivX® VOD on the SETUP menu.
- The registration code will appear.
- Use the registration code to purchase or rent the videos from DivX® VOD service at www.divx.com/vod. Follow the instructions and download the video onto a CD-R for playback on this DVD player.

TIP

All the downloaded videos from DivX® VOD can only be played back on this DVD player.

SPECIAL DVD FEATURES

Checking the contents of DVD-Video discs: **Menus**

For titles and chapters, selection menus may be included on the disc. The DVD's menu feature allows you to make selections from these menus. Press the appropriate numerical key, or use the **▲▼◀▶** keys to highlight your selection, and press **OK**.

Disc menu

When the cursor highlights these settings, press **OK** to:

FILE	key in desired file number
CHAPTER	key in desired chapter number
AUDIO	select audio options
SUBTITLE	select subtitle options
ANGLE	select camera angle options
FILE TIME	key in starting point for file play time
TT TIME	key in starting point for title play time
CH TIME	key in starting point for chapter play time
REPEAT	select repeat options
TIME DISP.	select time display options

3 Use **(0-9)** to key in specific settings.

4 Press **◀** to abort current setting or go back to previous menu level.

5 Press **OSD** to exit.

Camera angle

If the disc contains sequences recorded from different camera angles, the angle icon appears, showing the number of available angles, and the angle being shown. You can then change the camera angle if you wish.

Press **ANGLE** repeatedly until you have reached your desired viewing angle.

To resume to normal viewing angle, press **ANGLE** repeatedly until no angle related message is shown on the screen.

Changing the language

Press **LANGUAGE**. If the current disc has different language options, this now appears on the screen.

Press **LANGUAGE** repeatedly until you have reached your desired language option.

Subtitles

Press **SUBTITLES**. If the current disc has different subtitle options, this now appears on the screen.

Press **SUBTITLES** repeatedly until you have reached your desired subtitles option.

TECHNICAL DATA

Dimensions	20.3 x 15.0 x 4.1 cm 8 x 5.9 x 1.6 inches
Weight	0.71 kg / 1.42 lb
Power supply	DC 12V 1.5A
Operating temperature range	0 - 50°C (32 - 122°F)
Laser wavelength	650nm
Video system	NTSC / PAL / AUTO
Frequency response	20Hz - 20KHz ± 1dB
Signal/noise ratio	≥ 80dB
Audio distortion + noise	≤ -80(1KHz)
Channel separation	≥ 75dB
Output	
Audio out (analog audio)	Output level: 2V
Load impedance:	10KΩ
Video out Output level:	1Vp - p ± 20%
Load impedance:	75Ω

PHILIPS reserves the right to make design and specification changes for product improvement without prior notice.

Modifications not authorized by the manufacturer may void users authority to operate this device.

All rights reserved.

REMOTE CONTROL

Remote controls (see figure 2)

- ▲▼◀▶** Up / down / left / right cursor
- OK** Confirms selection
- VOL+/-** Volume control
- ◀▶** For previous (◀) or next (▶) chapters, tracks or titles
- Pauses playback
- ▶▶** Starts / resumes playback
- Press twice to stop playback
- ◀▶** Search backward (◀) or search forward (▶)
- OSD** On Screen Display on / off
- ▶** Slow motion
- AUDIO** Audio language selector
- ZOOM** Enlarges video image
- A > B** To repeat or loop a sequence in a title
- PLAY-MODE** Selects play order options
- 0 - 9** Numeric keypad
- MUTE** Muting player volume
- REPEAT** Repeats chapter / title / disc
- RETURN** For VCD menu page
- ANGLE** Selects DVD camera angle
- SUBTITLE LANGUAGE** Subtitle language selector
- MENU** Displays MENU page
- SETUP** Enters SETUP menu
- Infra Red port**
- BATTERY COMPARTMENT**

PREPARATIONS

Power supply

Using the AC / DC adaptor

Connect the supplied adaptor to the set and the main power supply (as shown).

TIP

To avoid damage to the player, switch off before plugging or unplugging the AC adaptor.

Using the car adaptor

Connect the supplied car adaptor to the set and the car cigarette lighter outlet.

TIP

- To avoid damage to the player, switch off before plugging or unplugging the car adaptor.
- When connecting with car power (cigarette lighter) adaptor, be sure the input voltage of the adaptor is identical with car voltage.

Powering your remote control

- Open the battery compartment.
- Remove the protective plastic tab (first time users only).
- Insert 1 x lithium 3V battery, type CR2025, then close the compartment.

CAUTION

- Batteries contain chemical substances, so they should be disposed of properly.
- Danger of explosion if battery is incorrectly replaced. Replace only with the same or equivalent type.
- Incorrect use of batteries can cause electrolyte leakage and will corrode the compartment or cause the batteries to burst. Remove the batteries if the set is not to be used for a long time.

BASIC FUNCTIONS

Playing a MP3-CD

The following playback features are available for MP3-CDs. Please refer to the corresponding sections for more information. Volume control, skipping tracks, searching, repeat, shuffle, etc. Use the **▲▼◀▶** keys to highlight your selected music folder. Press **OK** to play.

Playing a JPEG discs

Use the **▲▼◀▶** keys to highlight your selected picture folder. Press **OK**. The player will then automatically enter the slide show mode.

Using the full display screen, this shows the rest of the JPEG files, one-by-one, located in the selected current folder.

- Use the **◀▶** to rotate the picture.
- Use the **▲** to flip up/down.
- Use the **▼** to flip left/right.
- During the slide show, press **MENU** to go back to folder screen.
- Press **▶** to go to group preview.
- Use the **▲▼◀▶** to highlight the preview picture and access the on-screen functions.

Note: Unless stated otherwise, all operations described are based on remote control operation.

OSD OPERATIONS

In addition to using remote control keys, you can also change disc playback options from OSD.

- Press **OSD** during disc playback. A list of features is shown.
- Use the **▲▼** keys to highlight your selection.

When the cursor highlights these settings, press **OK** to:

FILE	key in desired file number
CHAPTER	key in desired chapter number
AUDIO	select audio options
SUBTITLE	select subtitle options
ANGLE	select camera angle options
FILE TIME	key in starting point for file play time
TT TIME	key in starting point for title play time
CH TIME	key in starting point for chapter play time
REPEAT	select repeat options
TIME DISP.	select time display options

- Use **(0-9)** to key in specific settings.
- Press **◀** to abort current setting or go back to previous menu level.
- Press **OSD** to exit.

DISPOSAL OF YOUR OLD PRODUCT

Your product is designed and manufactured with high quality materials and components, which can be recycled and reused.

When this crossed-out wheeled bin symbol is attached to a product it means the product is covered by the European Directive 2002/96/EC. Please inform yourself about the local separate collection system for electrical and electronic products.

Please act according to your local rules and do not dispose of your old products with your normal household waste. The correct disposal of your old product will help prevent potential negative consequences for the environment and human health.

Hearing Safety

Listen at a moderate volume:

- Using headphones at a high volume can impair your hearing. This product can produce sounds in decibel ranges that may cause hearing loss for a normal person, even for exposure less than a minute. The higher decibel ranges are offered for those that may have already experienced some hearing loss.
- Sound can be deceiving. Over time your hearing "comfort level" adapts to higher volumes of sound. So after prolonged listening, what sounds "normal" can actually be loud and harmful to your hearing. To guard against this, set your volume to a safe level before your hearing adapts and leave it there.

To establish a safe volume level:

- Set your volume control at a low setting.
- Slowly increase the sound until you can hear it comfortably and clearly, without distortion.

Listen for reasonable periods of time:

- Prolonged exposure to sound, even at normally "safe" levels, can also cause hearing loss.
- Be sure to use your equipment reasonably and take appropriate breaks.

Be sure to observe the following guidelines when using your headphones:

- Listen at reasonable volumes for reasonable periods of time.
- Be careful not to adjust the volume as your hearing adapts.
- Do not turn up the volume so high that you can't hear what's around you.
- You should use caution or temporarily discontinue use in potentially hazardous situations.
- Do not use headphones while operating a motorized vehicle, cycling, skateboarding, etc.; it may create a traffic hazard and is illegal in many areas.

INTRODUCTION

Your portable DVD player

Your portable DVD player plays digital video discs conforming to the universal DVD Video standard. With it, you will be able to enjoy full-length movies with true cinema picture quality, and stereo or multichannel sound (depending on the disc and on your playback set-up).

The unique features of DVD-Video, such as selection of soundtrack and subtitle languages, and of different camera angles (again depending on the disc), are all included.

What's more, parental lock lets you decide which your children will be able to see. You will find your player remarkably easy to use with the On-Screen Display and player display in combination with the remote control.

Unpacking

First check and identify the contents of your package, as listed below:

- Portable DVD player
- Car adaptor (12V)
- Rechargeable battery pack
- Warranty
- Remote Control
- AC power adaptor
- User Manual
- Audio / Video cable

Placement

- Place the player on a firm, flat surface.
- Keep away from domestic heating equipment and direct sunlight.
- If the player cannot read CDs/DVDs correctly, try using a commonly available cleaning CD/DVD to clean the lens before taking the player to be repaired. Other cleaning methods may destroy the lens.
- Always keep the disc door closed to avoid dust on the lens.
- The lens may cloud over when the player is suddenly moved from cold to warm surroundings. It is then not possible to play a CD/DVD. Leave the player in a warm environment until the moisture evaporates.

PREPARATIONS

Attaching and charging the battery pack*

- Switch off the set. Attach the battery pack as shown.
- Connect the supplied adaptor to the set and the main power supply (as shown). Charge until the red indicator turns off (approximately 4.5 - 6.5 hours when unit is charged from power off).

TIP

- Is normal for the battery pack to become warm during charging.
- Is shown on the screen when battery power is running low.

Detaching the battery pack

- Switch off the set.
- Unplug the AC adaptor.
- Turn the player upside down.
- Press down the battery pack lock switch.
- Slide off the battery pack as shown.

*** Rechargeable batteries have a limited number of charge cycles and may eventually need to be replaced. Battery life and number of charge cycles vary by use and settings.**

GENERAL FEATURES

Moving to another title / track / chapter

When a disc has more than one title or track, you can move to another title/track/chapter as follows:

- Press **▶▶** briefly during play to select the next title / track / chapter.
- Press **◀◀** briefly during play to step back to the previous title/track/chapter.
- To go directly to any title, track or chapter, enter the corresponding number using the numerical keys (0-9).

Still picture and step frame

Press **II** once or more for the following still picture and step frame options:

II x 1	Pause / Still picture
II x 2	screen shows II

After the icon **II** is displayed, press **II** repeatedly to play frame by frame.

Press **II** to resume normal playback.

Search

Press **▶▶** repeatedly for the following forward search options:

2 X backwards	2 X forward
4 X backwards	4 X forward
8 X backwards	8 X forward
16 X backwards	16 X forward
32 X backwards	32 X forward
normal speed	normal speed

Press **OK** or **▶▶** to resume normal playback.

SETUP OPERATIONS

To maximize your playback experience, use **SETUP** to fine tune your settings. Use the **▲▼◀▶** keys to highlight your selection, and press **OK**.

- Press **SETUP**. A list of features is shown.
- Use the **▲▼** keys to highlight your selection.

When the cursor highlights these settings, press **OK** to:

GENERAL SETUP	select display and other options
AUDIO SETUP	select audio options
PREFERENCES	select playback preferences
PASSWORD SETUP	select password options

- Press **▶** to abort current setting or go back to previous menu level.
- Press **SETUP** to exit.

When the cursor highlights these settings, press **OK** to:

TV DISPLAY	select display ratio
TV TYPE	select video standard of external TV set
OSD LANG	select on screen display language
SPDIF	select digital audio options
CAPTIONS	select captions options
SCREEN SAVER	select screen saver options

Press **▶** to abort current setting or go back to previous menu level

SETUP OPERATIONS

Audio Setup

When the cursor highlights these settings, press **OK** to:

SPEAKER SETUP	select speaker options
DOLBY DIGITAL SETUP	select dolby sound options
CHANNEL EQUALIZER	select equalizer options
3D PROCESSING	select surround sound options

Press **◀** to abort current setting or go back to previous menu level

Preferences

When the cursor highlights these settings, press **OK** to:

AUDIO	select audio language options
SUBTITLE	select subtitle language options
DISC MENU	select disc menu language options
PARENTAL	select parental options
DivX® VOD	get DivX® ID for VOD
POWER SAVING	activate power saving mode when using battery pack
DEFAULT	Restore factory settings

Press **▶** to abort current setting or go back to previous menu level

Note: Parental options are only selectable when password mode is deactivated.

Password Setup

When the cursor highlights these settings, press **OK** to:

PW MODE	switch password on / off
PASSWORD	change existing password (default: 99999)

Press **▶** to abort current setting or go back to previous menu level

INTRODUCTION

Playable disc formats

In addition to DVD-Video disc, you will also be able to play all Video CDs and audio CDs (including CDR, CDRW, DVD-R and DVD-RW).

DVD-Video

Depending on the material on the disc (a movie, video clips, a drama series, etc.) these discs may have one or more Titles, and each Title may have one or more Chapters. To make access easy and convenient, your player lets you move between Titles, and also between Chapters.

Video CD

Depending on the material on the disc (a movie, video clips, a drama series, etc.) these discs may have one or more Tracks, and tracks may have one or more indexes, as indicated on the disc case. To make access easy and convenient, your player lets you move between tracks and between indexes.

Audio CD / MP3 CD

Audio CDs / MP3 CD contain music tracks only. You can play them in the conventional way through a stereo system using the keys on the remote control and/or main unit, or via the TV using the On Screen Display (OSD).

CD with JPEG files

You can also view JPEG still photos on this player.

PREPARATIONS

Connections

Connecting headphones

Connect the headphones into the **PHONE** jack of your set.

Connecting additional equipment

- Turn off your set before connecting to any additional equipment.
- You can connect the player to a TV or an amplifier to enjoy DVDs or karaoke.

AV OUT

On the DVD player panel, press **AV IN/OUT** to select A/V OUT.

Digital Audio Out

TIP

- You can also make use of the COAXIAL jack for digital audio output.
- Please refer to the user manuals of your additional equipment for more information about connection.
- Players support NTSC/PAL/AUTO television sets.

GENERAL FEATURES

Slow motion

Press **▶** once or more for the following slow play options:

x 1	1/2	x 5*	1/2 x backward
x 2	1/4	x 6*	1/4 x backward
x 3	1/8	x 7*	1/8 x backward
x 4	1/16	x 8*	1/16 x backward

Press **OK** or **▶▶** to resume normal playback.

**For DVDs only*

Changing the audio output

Press **AUDIO** repeatedly for the following audio options.

x 1	Mono left	x 2	Mono right
x 3	Mixed mono	x 4	Stereo

ZOOM

The Zoom function allows you to enlarge the video image and to pan through the enlarged image. Press **ZOOM** repeatedly to select the following zooming options:

Zoom x 1	2X	Zoom x 2	3X
Zoom x 3	4X	Zoom x 4	1/2
Zoom x 5	1/3	Zoom x 6	1/4
Zoom x 7	normal		

部件名称 Name of the Parts	有害有毒物质或元素 Hazardous/toxic Substance					
	铅 (Pb, Lead)	汞 (Hg, Mercury)	镉 (Cd, Cadmium)	六价铬 (Chromium*)	多溴联苯 (PBB)	多溴二苯醚 (PBDE)
Housing	○	○	○	○	○	○
外壳	○	○	○	○	○	○