

Register your product and get support at
www.philips.com/welcome



Thank you for choosing Philips.

Need help fast?

Read your Quick Use Guide and/or Owner's Manual first for quick tips that make using your Philips product more enjoyable.

If you have read your instructions and still need assistance, you may access our online help at

www.philips.com/welcome
or call

1-888-PHILIPS (744-5477)

while with your product.
(and Model / Serial number)



Philips vous remercie de votre confiance.

Besoin d'une aide rapide?

Les Guide d'utilisation rapide et Manuel de l'utilisateur regorgent d'astuces destinées à simplifier l'utilisation de votre produit Philips.

Toutefois, si vous ne parvenez pas à résoudre votre problème, vous pouvez accéder à notre aide en ligne à l'adresse

www.philips.com/welcome
ou formez le

1-800-661-6162 (Francophone)

1-888-PHILIPS (744-5477) (English speaking)

Veillez à avoir votre produit à portée de main.

(et model / serial nombre)



Gracias por escoger Philips

Necesita ayuda inmediata?

Lea primero la Guía de uso rápido o el Manual del usuario, en donde encontrará consejos que le ayudarán a disfrutar plenamente de su producto Philips.

Si después de leerlo aún necesita ayuda, consulte nuestro servicio de asistencia en línea en

www.philips.com/welcome
o llame al teléfono

1-888-PHILIPS (744-5477)

y tenga a mano el producto.
(y número de model / serial)

EN	User manual	3
ES	Manual del usuario	31
FR	Mode d'emploi	63



PHILIPS

Return your Product Registration Card or register online at
www.philips.com/welcome today to get the very most from your purchase.

Registering your model with PHILIPS makes you eligible for all of the valuable benefits listed below, so don't miss out. Complete and return your Product Registration Card at once, **or register online at www.philips.com/welcome** to ensure:

*Proof of Purchase

Returning the enclosed card guarantees that your date of purchase will be on file, so no additional paperwork will be required from you to obtain warranty service.

*Product Safety Notification

By registering your product, you'll receive notification - directly from the manufacturer - in the rare case of a product recall or safety defect.

*Additional Benefits

Registering your product guarantees that you'll receive all of the privileges to which you're entitled, including special money-saving offers.

PHILIPS

Congratulations on your purchase, and welcome to the "family!"

Dear PHILIPS product owner:

Thank you for your confidence in PHILIPS. You've selected one of the best-built, best-backed products available today. We'll do everything in our power to keep you happy with your purchase for many years to come. As a member of the PHILIPS "family," you're entitled to protection by one of the most comprehensive warranties and outstanding service networks in the industry. What's more, your purchase guarantees you'll receive all the information and special offers for which you qualify, plus easy access to accessories from our convenient home shopping network.

Most importantly, you can count on our uncompromising commitment to your total satisfaction.

All of this is our way of saying welcome - and thanks for investing in a PHILIPS product.


P.S. To get the most from your PHILIPS purchase, be sure to complete and return your Product Registration Card at once, or register online at:


www.philips.com/welcome

Know these

safety symbols



 This "bolt of lightning" indicates uninsulated material within your unit may cause an electrical shock. For the safety of everyone in your household, please do not remove product covering.

 The "exclamation point" calls attention to features for which you should read the enclosed literature closely to prevent operating and maintenance problems.

WARNING: To reduce the risk of fire or electric shock, this apparatus should not be exposed to rain or moisture and objects filled with liquids, such as vases, should not be placed on this apparatus.

CAUTION: To prevent electric shock, match wide blade of plug to wide slot, fully insert.

ATTENTION: Pour éviter les choc électriques, introduire la lame la plus large de la fiche dans la borne correspondante de la prise et pousser jusqu'au fond.

For Customer Use

Enter below the Serial No. which is located on the rear of the cabinet. Retain this information for future reference.

Model No. _____

Serial No. _____

PHILIPS

Visit our World Wide Web Site at <http://www.philips.com/welcome>

PHILIPS LIMITED WARRANTY

ONE (1) YEAR

WARRANTY COVERAGE:

PHILIPS warranty obligation is limited to the terms set forth below.

WHO IS COVERED:

Philips warrants the product to the original purchaser or the person receiving the product as a gift against defects in materials and workmanship as based on the date of original purchase ("Warranty Period") from an Authorized Dealer. The original sales receipt showing the product name and the purchase date from an authorized retailer is considered such proof.

WHAT IS COVERED:

The Philips warranty covers new products if a defect in material or workmanship occurs and a valid claim is received by Philips within the Warranty Period. At its option, Philips will either (1) repair the product at no charge, using new or refurbished replacement parts, or (2) exchange the product with a product that is new or which has been manufactured from new, or serviceable used parts and is at least functionally equivalent or most comparable to the original product in Philips current inventory, or (3) refund the original purchase price of the product. Philips warrants replacement products or parts provided under this warranty against defects in materials and workmanship from the date of the replacement or repair for ninety (90) days or for the remaining portion of the original product's warranty, whichever provides longer coverage for you. When a product or part is exchanged, any replacement item becomes your property and the replaced item becomes Philips' property. When a refund is given, your product becomes Philips' property.

Note: Any product sold and identified as refurbished or renewed carries a ninety (90) day limited warranty.

Replacement product can only be sent if all warranty requirements are met. Failure to follow all requirements can result in delay.

WHAT IS NOT COVERED - EXCLUSIONS AND LIMITATIONS:

This Limited Warranty applies only to the new products manufactured by or for Philips that can be identified by the trademark, trade name, or logo affixed to it. This Limited Warranty does not apply to any non-Philips hardware product or any software, even if packaged or sold with the product. Non-Philips manufacturers, suppliers, or publishers may provide a separate warranty for their own products packaged with the bundled product.

Philips is not liable for any damage to or loss of any programs, data, or other information stored on any media contained within the product, or any non-Philips product or part not covered by this warranty. Recovery or reinstallation of programs, data or other information is not covered under this Limited Warranty.

This warranty does not apply (a) to damage caused by accident, abuse, misuse, neglect, misapplication, or non-Philips product, (b) to damage caused by service performed by anyone other than Philips or Philips Authorized Service Location, (c) to a product or a part that has been modified without the written permission of

Philips, or (d) if any Philips serial number has been removed or defaced, or (e) product, accessories or consumables sold "AS IS" without warranty of any kind by including refurbished Philips product sold "AS IS" by some retailers.

This Limited Warranty does not cover:

- Shipping charges to return defective product to Philips.
- Labor charges for installation or setup of the product, adjustment of customer controls on the product, and installation or repair of antenna/signal source systems outside of the product.
- Product repair and/or part replacement because of improper installation or maintenance, connections to improper voltage supply, power line surge, lightning damage, retained images or screen markings resulting from viewing fixed stationary content for extended periods, product cosmetic appearance items due to normal wear and tear, unauthorized repair or other cause not within the control of Philips.
- Damage or claims for products not being available for use, or for lost data or lost software.
- Damage from mishandled shipments or transit accidents when returning product to Philips.
- A product that requires modification or adaptation to enable it to operate in any country other than the country for which it was designed, manufactured, approved and/or authorized, or repair of products damaged by these modifications.
- A product used for commercial or institutional purposes (including but not limited to rental purposes).
- Product lost in shipment and no signature verification receipt can be provided.
- Failure to operate per Owner's Manual.

TO OBTAIN ASSISTANCE IN THE U.S.A., PUERTO RICO, OR U.S. VIRGIN ISLANDS...

Contact Philips Customer Care Center at:
1-888-PHILIPS (1-888-744-5477)

TO OBTAIN ASSISTANCE IN CANADA...

1-800-661-6162 (French Speaking)
1-888-PHILIPS (1-888-744-5477) - (English or Spanish Speaking)

REPAIR OR REPLACEMENT AS PROVIDED UNDER THIS WARRANTY IS THE EXCLUSIVE REMEDY FOR THE CONSUMER. PHILIPS SHALL NOT BE LIABLE FOR ANY INCIDENTAL OR CONSEQUENTIAL DAMAGES FOR BREACH OF ANY EXPRESS OR IMPLIED WARRANTY ON THIS PRODUCT. EXCEPT TO THE EXTENT PROHIBITED BY APPLICABLE LAW, ANY IMPLIED WARRANTY OF MERCHANTABILITY OR FITNESS FOR A PARTICULAR PURPOSE ON THIS PRODUCT IS LIMITED IN DURATION TO THE DURATION OF THIS WARRANTY.

Some states do not allow the exclusions or limitation of incidental or consequential damages, or allow limitations on how long an implied warranty lasts, so the above limitations or exclusions may not apply to you.

This warranty gives you specific legal rights. You may have other rights which vary from state/province to state/province.

Philips, P.O. Box 671539, Marietta, GA. 30006-0026

3121 233 48802

Contents

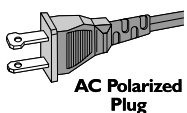
1 Important	6
Important safety instructions	6
Important Safety Instructions	6
Notice	7
Recycling	8
2 Your Soundbar System	9
Introduction	9
What's in the box	9
Overview of the main unit	10
Overview of the remote control	11
3 Get started	13
Attach speakers to the main unit	13
Attach the stand	13
Connect AV devices	14
Option 1: Connect this soundbar to devices through the TV	14
Option 2: Connect devices through this soundbar to the TV (basic)	15
Option 3: Connect devices through this soundbar to the TV (advanced)	16
Connect FM antenna	17
Connect power	17
Install remote control batteries	18
Set clock	18
Turn on	19
Switch to standby mode	19
Set up wireless connection manually	19
4 Play	20
Play an AV source through this soundbar	20
Play from USB	20
5 Control USB play	21
Skip to a track	21
Pause/resume play	21
Search within a track	21
Repeat play	21
Random play	21
Program tracks	21
6 Adjust volume level and sound effect	22
Adjust volume level	22
Adjust subwoofer volume	22
Select a sound effect	22
Select a game sound effect	22
Select a movie sound effect	22
Select a music mode (for USB only)	22
Mute sound	22
7 Tune to FM radio stations	23
Program radio stations automatically	23
Program radio stations manually	23
Tune to a preset radio station	23
8 Use more of your soundbar	24
Program remote control	24
Rename an AV source	24
Enable/disable automatic on/standby	25
Set the alarm timer	25
Set the sleep timer	25
9 Product information	26
Product information	26
Specifications	26
Amplifier	26
Tuner (FM)	26
L/R speakers	26
Subwoofer	26
General information	26
USB playability information	27
10 Troubleshooting	28
11 Appendix	29
Mount to a wall	29
What's in the supplied mounting kit	29
What else you'll need	29
Mount the main unit and speakers	29

1 Important

Important safety instructions

Important Safety Instructions

- ① Read these instructions.
- ② Keep these instructions.
- ③ Heed all warnings.
- ④ Follow all instructions.
- ⑤ Do not use this apparatus near water.
- ⑥ Clean only with dry cloth.
- ⑦ Do not block any ventilation openings. Install in accordance with the manufacturer's instructions.
- ⑧ Do not install near any heat sources such as radiators, heat registers, stoves, or other apparatus (including amplifiers) that produce heat.
- ⑨ Do not defeat the safety purpose of the polarized or grounding-type plug. A polarized plug has two blades with one wider than the other. A grounding type plug has two blades and a third grounding prong. The wide blade or the third prong are provided for your safety. If the provided plug does not fit into your outlet, consult an electrician for replacement of the obsolete outlet.



- ⑩ Protect the power cord from being walked on or pinched, particularly at plugs, convenience receptacles, and the point where they exit from the apparatus.

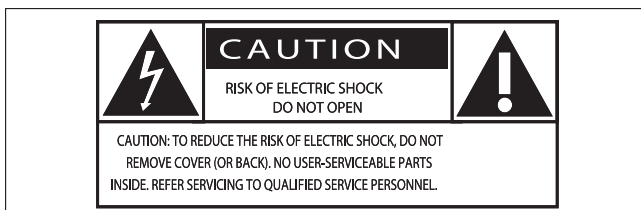
- ⑪ Only use attachments/accessories specified by the manufacturer.
- ⑫ Use only with the cart, stand, tripod, bracket, or table specified by the manufacturer or sold with the apparatus. When a cart is used, use caution when moving the cart/apparatus combination to avoid injury from tip-over.



- ⑬ Unplug this apparatus during lightning storms or when unused for long periods of time.
- ⑭ Refer all servicing to qualified service personnel. Servicing is required when the apparatus has been damaged in any way, such as power-supply cord or plug is damaged, liquid has been spilled or objects have fallen into the apparatus, the apparatus has been exposed to rain or moisture, does not operate normally, or has been dropped.
- ⑮ Battery usage CAUTION – To prevent battery leakage which may result in bodily injury, property damage, or damage to the unit:
 - Install all batteries correctly, + and - as marked on the unit.
 - Do not mix batteries (old and new or carbon and alkaline, etc.).
 - Remove batteries when the unit is not used for a long time.
- ⑯ Apparatus shall not be exposed to dripping or splashing.
- ⑰ Do not place any sources of danger on the apparatus (e.g. liquid filled objects, lighted candles).

- ⑱ This product may contain lead and mercury. Disposal of these materials may be regulated due to environmental considerations. For disposal or recycling information, please contact your local authorities or the Electronic Industries Alliance: www.eiae.org.

Know these safety symbols



This 'bolt of lightning' indicates uninsulated material within your unit may cause an electrical shock. For the safety of everyone in your household, please do not remove product covering.

The 'exclamation point' calls attention to features for which you should read the enclosed literature closely to prevent operating and maintenance problems.

WARNING: To reduce the risk of fire or electric shock, this apparatus should not be exposed to rain or moisture and objects filled with liquids, such as vases, should not be placed on this apparatus.

CAUTION: To prevent electric shock, match wide blade of plug to wide slot, fully insert.

Warning

- Never remove the casing of this soundbar.
- Never lubricate any part of this soundbar.
- Never place this soundbar on other electrical equipment.
- Keep this soundbar away from direct sunlight, naked flames or heat.
- Ensure that you always have easy access to the power cord, plug or adaptor to disconnect the soundbar from the power.

- ① **Wall or Ceiling Mounting - The appliance should be mounted to a wall or ceiling only as recommended by the manufacturer.**

Wall mounting of the soundbar should only be performed by qualified personnel. The soundbar must only be mounted on an appropriate wall bracket and on a wall that can safely hold the weight of the soundbar. Improper wall mounting can result in severe injury or damage. Do not attempt to wall mount the soundbar yourself.

Notice

Notice of compliance

For USA:

This equipment has been tested and found to comply with the limits for a Class B digital device, pursuant to Part 15 of the FCC Rules. These limits are designed to provide reasonable protection against harmful interference in a residential installation. This equipment generates, uses and can radiate radio frequency energy and, if not installed and used in accordance with the instructions, may cause harmful interference to radio communications. However, there is no guarantee that interference will not occur in a particular installation. If this equipment does cause harmful interference to radio or television reception, which can be determined by turning the equipment off and on, the user is encouraged to try to correct the interference by one or more of the following measures:

- Reorient or relocate the receiving antenna.
- Increase the separation between the equipment and receiver.
- Connect the equipment into an outlet on a circuit different from that to which the receiver is connected.
- Consult the dealer or an experienced radio/TV technician for help.

For Canada:

This digital apparatus does not exceed the Class B limits for radio noise emissions from digital apparatus as set out in the Radio Interference Regulations of the Canadian Department of Communications. This Class B digital apparatus complies with Canadian ICES-003.

The set complies with the FCC-Rules, Part 15. Operation is subject to the following two conditions:

1. This device may not cause harmful interference, and
2. This device must accept any interference received, including interference that may cause undesired operation.

FCC Declaration of conformity

Model number: PHILIPS HSB3280/37

Trade Name: Philips

Responsible Party:

Philips Consumer Lifestyle

P. O. Box 671539

Marietta, GA 30006-0026

1-800-PHILIPS (744-5477)

Any changes or modifications made to this device that are not expressly approved by Philips Consumer Lifestyle may void the user's authority to operate the equipment.

Recycling

Your product is designed and manufactured with high quality materials and components, which can be recycled and reused.

When you see the crossed-out wheel bin symbol attached to a product, it means the product is covered by the European Directive 2002/96/EC:




Never dispose of your product with other household waste. Please inform yourself about the local rules on the separate collection of electrical and electronic products. The correct disposal of your old product helps prevent potentially negative consequences on the environment and human health.

Your product contains batteries covered by the European Directive 2006/66/EC, which cannot be disposed of with normal household waste. When you see the crossed-out wheel bin symbol with the chemical symbol 'Pb', it means that the batteries comply with the requirement set by the directive for lead:



Please inform yourself about the local rules on separate collection of batteries. The correct disposal of batteries helps prevent potentially negative consequences on the environment and human health.

Manufactured under license from Dolby Laboratories. 'Dolby', 'Pro Logic' and the double D symbol  are trademarks of Dolby Laboratories.

2 Your Soundbar System

Congratulations on your purchase, and welcome to Philips! To fully benefit from the support that Philips offers, register your product at www.Philips.com/welcome.

Introduction

Your soundbar provides superb sound performance when you watch TV, DVDs, listen to music, or play games.

You can control all connected audio/video devices easily with the programmable smart remote control.

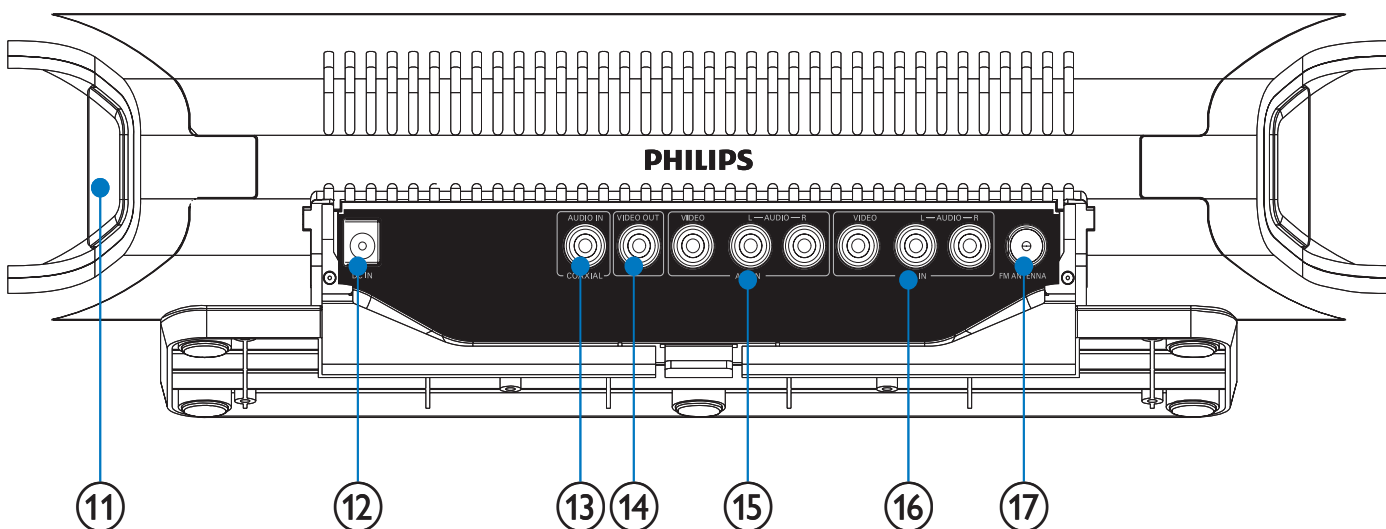
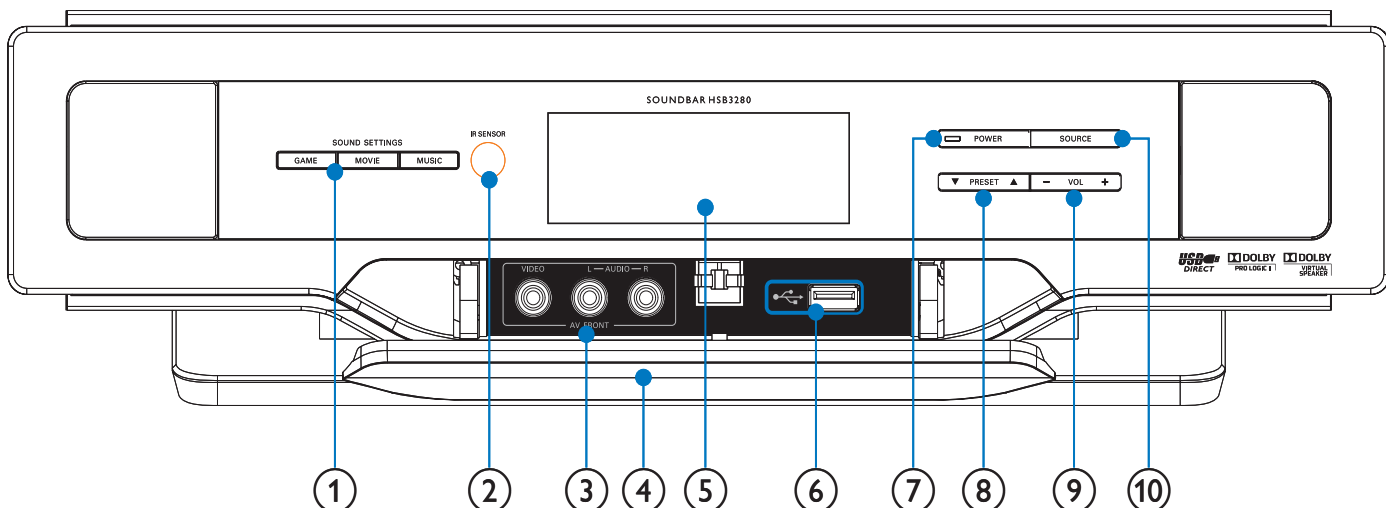
The wireless subwoofer makes setup simple, too - there are no messy cables to connect.

What's in the box

Check and identify the contents of your package:

- Main unit
- Speakers (x 2)
- Digital wireless subwoofer
- Smart remote control (with battery)
- AC power adaptor for main unit
- Studs (x2) used to attach speakers to main unit
- Table stand
- Wall mount bracket and screws (x4)
- FM antenna
- AV cable
- Coaxial cable
- Composite cable

Overview of the main unit

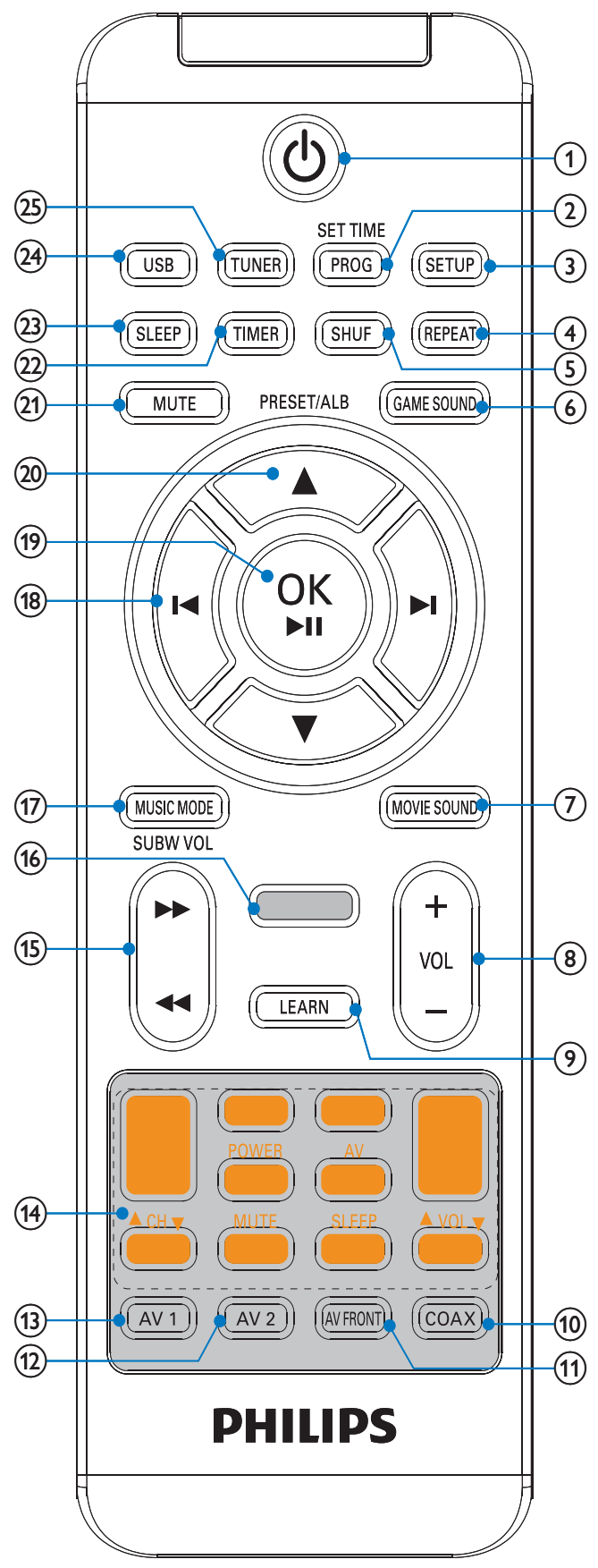





- ① **SOUND SETTINGS (GAMES, MOVIE, MUSIC)**
 - Select a sound effect.
- ② **IR sensor**
- ③ **AV FRONT (VIDEO L-AUDIO-R)**
 - AV input sockets on the front panel.
- ④ **Flip cover**
- ⑤ **Display panel**
 - Show current status.
- ⑥ **USB**
 - Socket for a USB mass storage device.

- ⑦ **POWER**
 - Turn on the soundbar; switch to standby mode, or switch to Eco Power Standby.
- ⑧ **PRESET/▲▼**
 - Select a preset FM radio station.
 - Select an album/folder in a connected USB device.
- ⑨ **-VOL +**
 - Adjust volume.
 - Adjust time.
- ⑩ **SOURCE**
 - Select a source for play: TUNER, USB, AV1, AV2, AV FRONT or COAX.
 - Enable/disable automatic on/standby.

Overview of the remote control

- ⑪ **PRESS**
 - Detach speakers from the main unit.
- ⑫ **DC IN**
 - Connect the AC adaptor.
- ⑬ **AUDIO IN - COAXIAL**
 - Coaxial audio output socket.
- ⑭ **VIDEO OUT**
 - Socket for composite video output.
- ⑮ **AV2 IN (VIDEO L - AUDIO - R)**
 - AV input sockets.
- ⑯ **AV1 IN (VIDEO L - AUDIO - R)**
 - AV input sockets.
- ⑰ **FM ANTENNA**
 - Connect the FM antenna.



- ① 
 - Turn on the soundbar, switch to standby mode, or switch to Eco Power Standby.
- ② **SET TIME/PROG**
 - Set the clock.
 - Program tracks in a USB device.
 - Program radio stations.
- ③ **SETUP**
 - Rename AV resource.
- ④ **REPEAT**
 - Select a repeat play mode for the connected USB device.
- ⑤ **SHUF**
 - Play tracks in the USB device randomly.
- ⑥ **GAME SOUND**
 - Select a game sound setting.
- ⑦ **MOVIE SOUND**
 - Select a movie sound setting.
- ⑧ **VOL +/-**
 - Adjust volume.
 - Adjust time.
- ⑨ **LEARN**
 - Program remote control.
- ⑩ **COAX**
 - Select the AV input source from the **AUDIO IN - COAXIAL** socket.
- ⑪ **AV FRONT**
 - Select the AV source input from the **AV FRONT (VIDEO L-AUDIO-R)** sockets.
- ⑫ **AV2**
 - Select the AV source input from the **AV2 IN (VIDEO L - AUDIO - R)** sockets.
- ⑬ **AV1**
 - Select the AV source input from the **AV1 IN (VIDEO L - AUDIO - R)** sockets.
- ⑭ **Programing buttons**
 - Are reserved for remote control programing.
- ⑮ 
 - Fast reverse or fast forward within a track in the USB device.
 - Tune to a radio station.
- ⑯ **Indicator for remote control programing**
- ⑰ **MUSIC MODE/SUBW VOL**
 - In USB mode, select a music sound setting.
 - In AV1, AV2, AV FRONT or COAXIAL mode, adjust subwoofer volume.
- ⑱ 
 - Skip to the previous/next track in the USB device.
- ⑲ **OK / ►||**
 - Start or pause USB play.
 - Confirm renaming of an AV source.
- ⑳ **PRESET/ALB/▲▼**
 - Skip to the previous/next album (folder) in the USB device.
 - Select a preset radio station.
- ㉑ **MUTE**
 - Mutes volume.
- ㉒ **TIMER**
 - Set the alarm timer.
- ㉓ **SLEEP**
 - Set the sleep timer.
- ㉔ **USB**
 - Select the USB source.
- ㉕ **TUNER**
 - Select the tuner (FM) source.

3 Get started



Caution

- Use the controls only as stated in this user manual.

Always follow the instructions in this chapter in sequence.

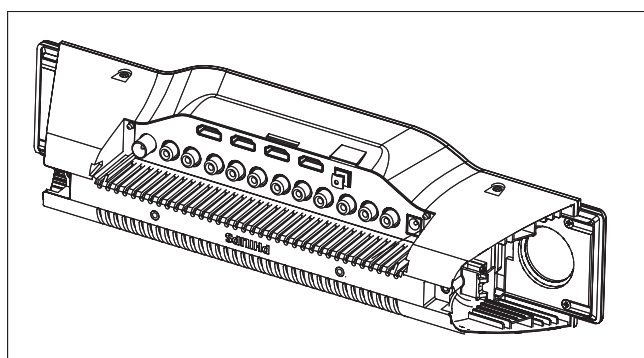
If you contact Philips, you will be asked for the model and serial number of your soundbar. The model number and serial number are on the bottom of your soundbar. Write the numbers here:

Model No. _____

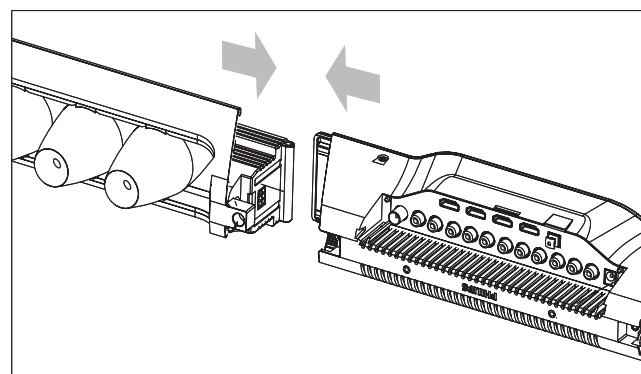
Serial No. _____

Attach speakers to the main unit

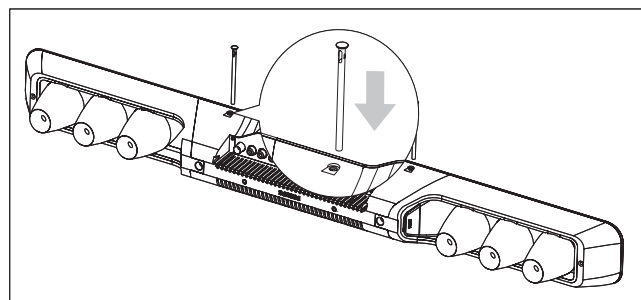
- 1 Place the main unit on a soft and flat surface.
 - Ensure that the bottom side faces upwards.



- 2 Attach the left speaker to the left side of the main unit.



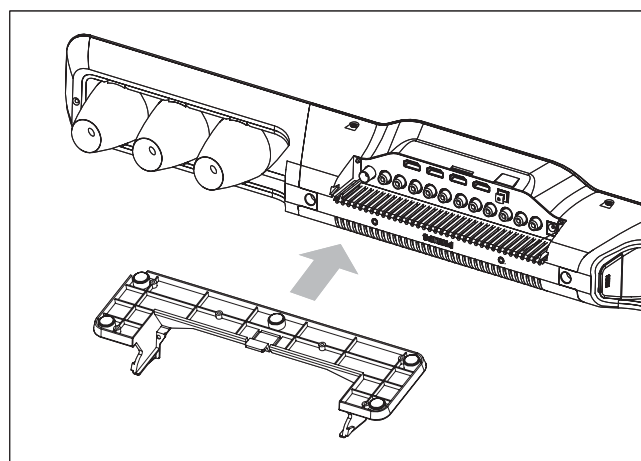
- 3 Insert a supplied stud into the hole.



- 4 Repeat steps 2 and 3 to attach the right speaker.

Attach the stand

- 1 Slide the supplied table stand onto the bottom of the main unit until you hear a click.



Tip

- You can also mount the soundbar on a wall (see 'Appendix' on page 29).

Connect AV devices

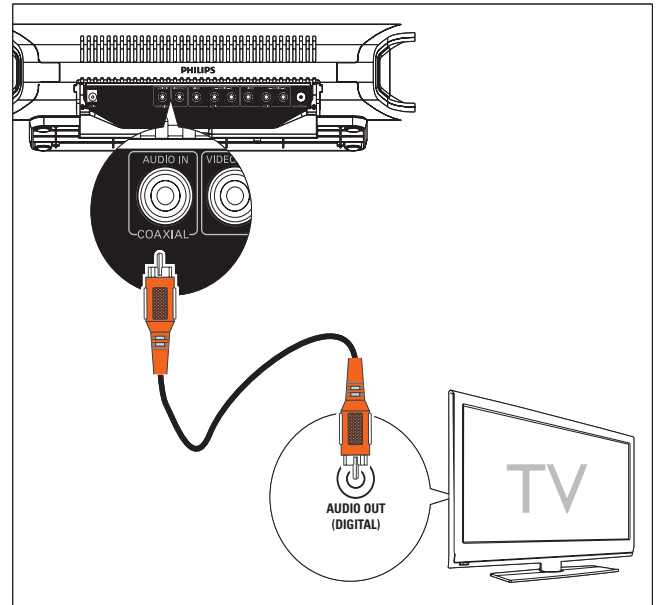
Note

- There are various ways to connect the soundbar to other AV devices. You only need to select the best option that fits your existing AV device setup.
- For AV connection to the soundbar, there are multiple sets of AV sockets available on the main unit. You can choose either set for an AV connection.
- When you connect cables, ensure that the color of the plug matches the color of the socket.
- To use sockets on the front panel, flip open the cover.
- The types of AV devices and connections in the following instructions are for reference only.

Option 1: Connect this soundbar to devices through the TV

If all the devices for use are connected to the TV and the TV has an available audio output socket, follow these instructions.

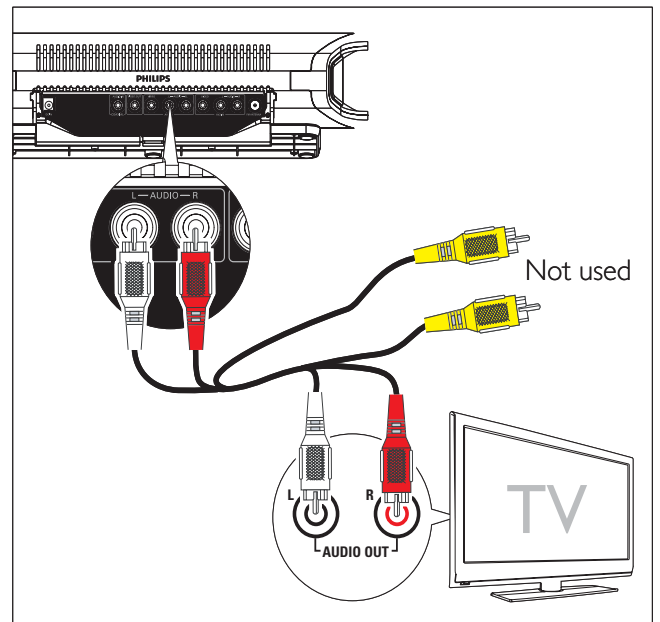
- 1 If the TV has a digital output socket, connect the supplied coaxial cable (orange) from the TV to the **AUDIO IN - COAXIAL** socket.



- You can also connect the red/white audio connectors of the supplied AV cable from the TV to a set of audio input sockets.

Note

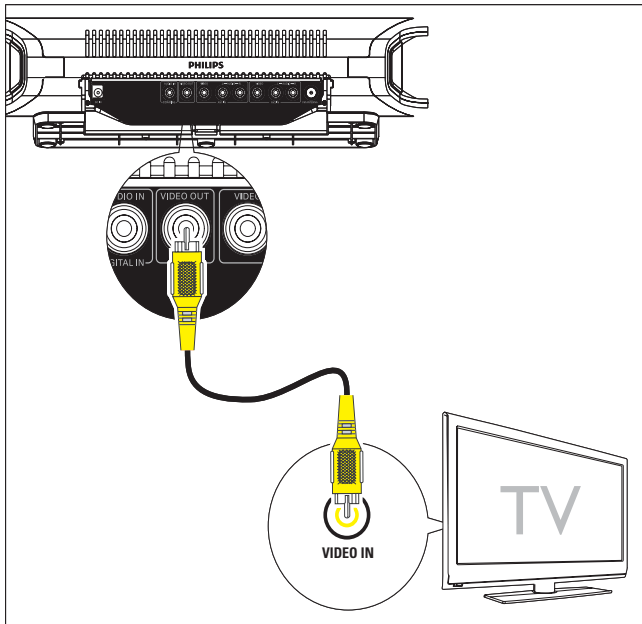
- It is unnecessary to connect the yellow video connectors.



Option 2: Connect devices through this soundbar to the TV (basic)

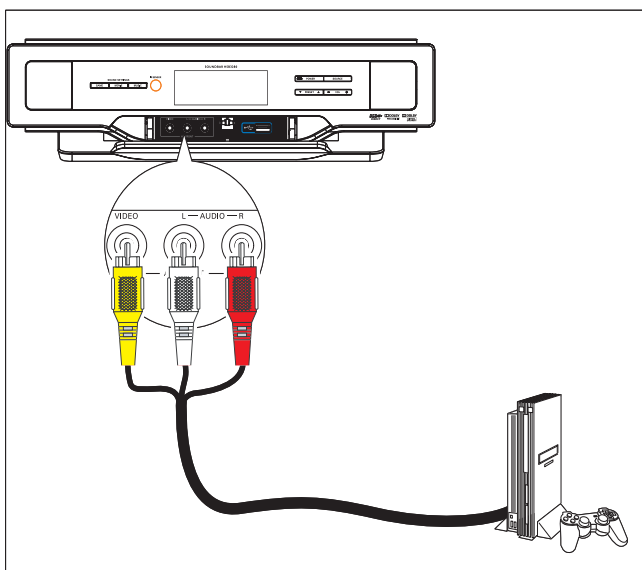
If the TV does not have an available audio output socket, follow these instructions.

- 1 Connect the video input socket on the TV to the **VIDEO OUT** socket.

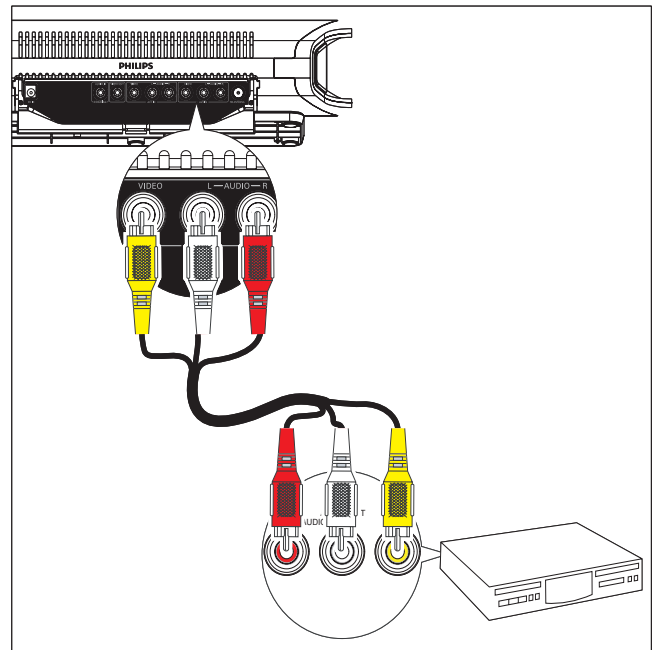


- 2 Connect the AV devices directly to the soundbar:

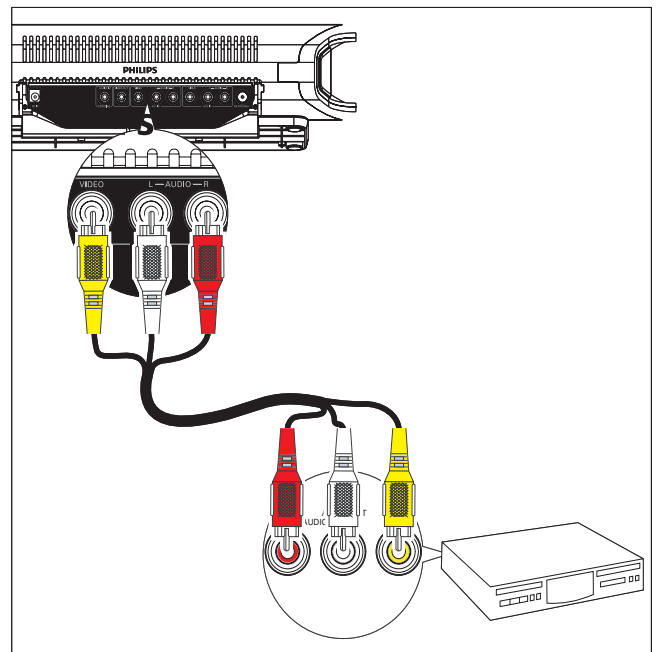
- (A) Game console:
Connect the AV output sockets on the game console to the **AV FRONT (VIDEO L-AUDIO-R)** sockets.



- (B) Set top box
Connect the AV output sockets the set top box to the **AV1 IN (VIDEO L - AUDIO - R)** sockets.



- (C) DVD player
Connect the AV output sockets on the DVD player to the **AV2 IN (VIDEO L - AUDIO - R)** sockets.

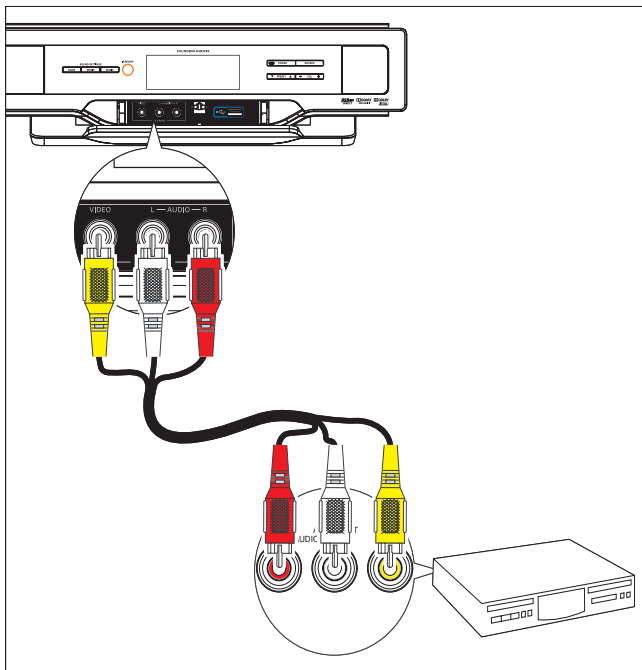


Option 3: Connect devices through this soundbar to the TV (advanced)

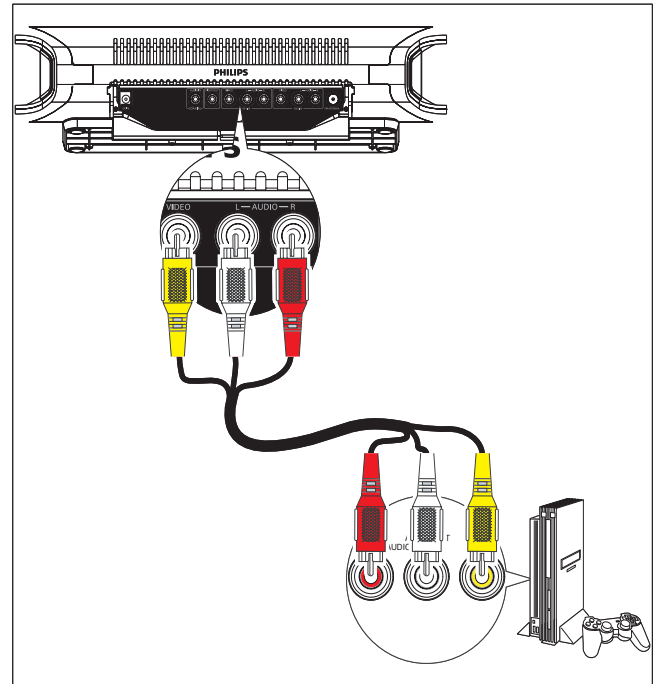
If you want to connect all the devices for use to this soundbar and the TV has an available digital output socket, follow these instructions.

1 Connect the AV devices directly to the soundbar:

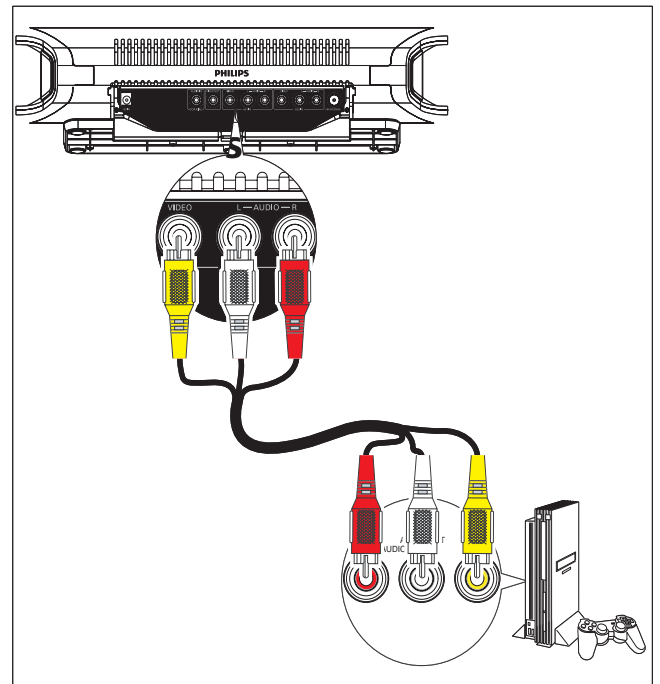
- (A)** DVD player:
Connect the AV output sockets on the DVD player to the **AV FRONT (VIDEO L-AUDIO-R)** sockets.



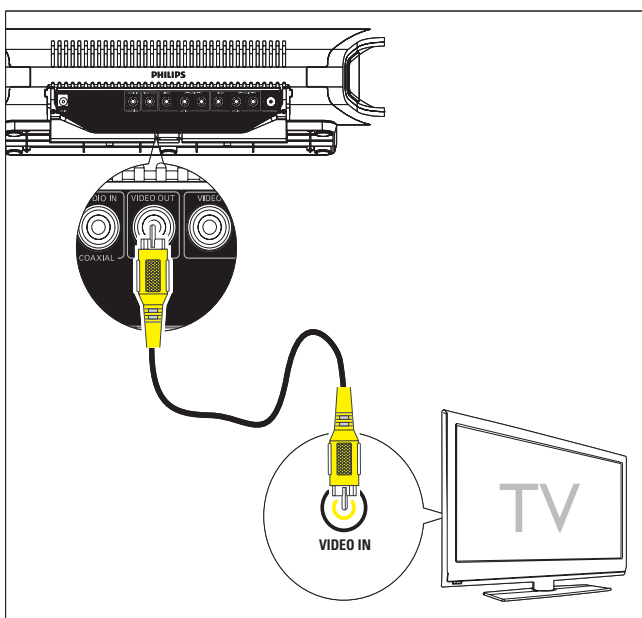
- (B)** Game console 1:
Connect the AV output sockets on a game console to the **AV1 IN (VIDEO L - AUDIO - R)** sockets.



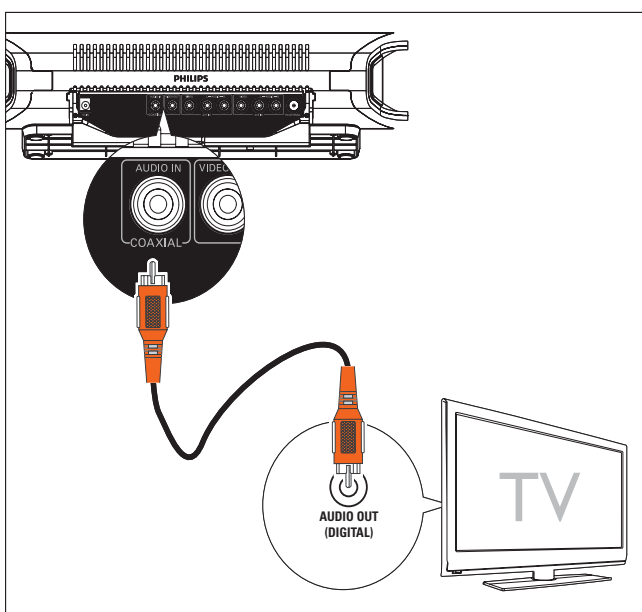
- (C)** Game console 2:
Connect the AV output sockets on the other game console to the **AV2 IN (VIDEO L - AUDIO - R)** sockets.



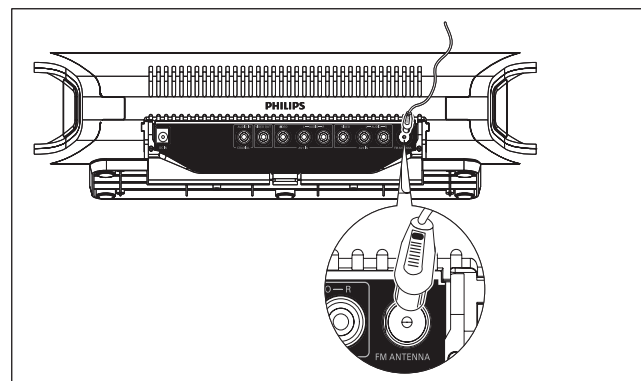
2 Connect the video input socket on the TV to the **VIDEO OUT** socket with the supplied yellow composite cable.



- 3** Connect the digital output socket on the TV to the **AUDIO IN - COAXIAL** socket with the supplied orange coaxial cable.



Connect FM antenna



Tip

- For optimal reception, fully extend and adjust the position of the antenna.
- For better FM stereo reception, connect an outdoor FM antenna to the **FM ANTENNA** socket.
- The soundbar does not support AM radio reception.

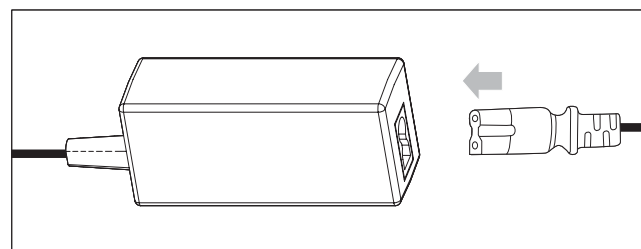
- 1** Connect the supplied FM antenna to the **FM ANTENNA** socket.

Connect power

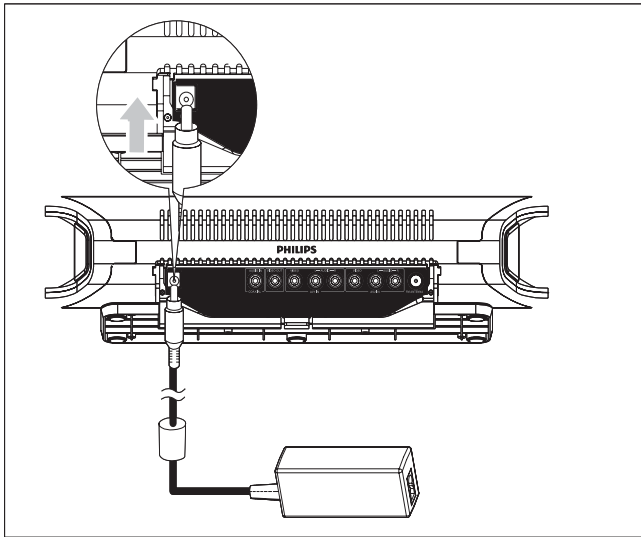
Caution

- Risk of product damage! Ensure that the power supply voltage corresponds to the voltage printed on the back or the underside of the soundbar.
- Risk of electric shock! When you unplug the AC adaptor, always pull the plug from the socket. Never pull the cord.
- Before connecting the AC adaptor, ensure you have completed all other connections.

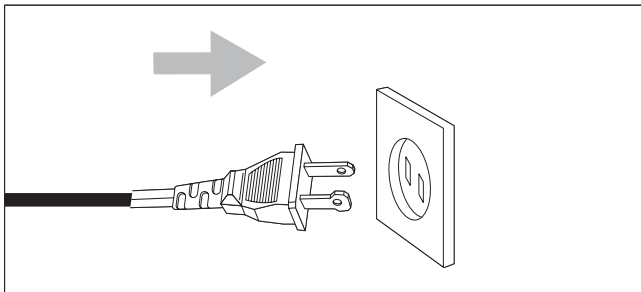
- 1** Prepare the AC adaptor:



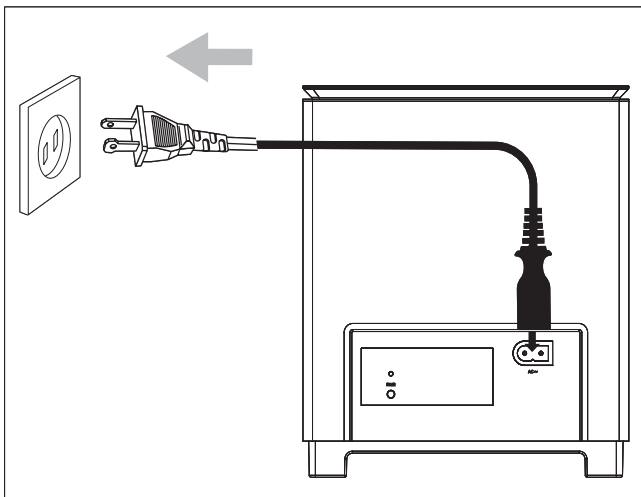
- 2** Connect one end to the **DC IN** socket on the main unit.



3 Connect the other end to the wall outlet.



4 Connect the power plug of the digital wireless subwoofer to the wall outlet.



Install remote control batteries

! Caution

- Risk of explosion! Keep batteries away from heat, sunshine or fire. Never discard batteries in fire.
- Perchlorate Material - special handling may apply. See www.dtsc.ca.gov/hazardouswaste/perchlorate.

For first-time use:

1 Remove the protective tab to activate the remote control battery.

To replace the remote control battery:

- 1** Open the battery compartment.
- 2** Insert one lithium CR2025 battery with correct polarity (+/-) as indicated.
- 3** Close the battery compartment.

≡ Note

- Before pressing any function button on the remote control, first select the correct source with the remote control instead of the main unit.
- If you are not going to use the remote control for a long time, remove the battery.

Set clock

- 1** In the standby mode, press and hold **SET TIME/PROG** to enter the clock setting mode.
 - ↳ The hour digits are displayed and begin to blink.
 - ↳ If the hour digits are not displayed, press and hold **⏻** for more than 2 seconds to switch to standby mode, then repeat step 1.
- 2** Press **+VOL -** to set the hour.
 - ↳ The minute digits are displayed and begin to blink.
- 3** Press **+VOL -** to set the minute.

- 4 Press **SET TIME/PROG** to confirm the clock setting.

Turn on

- 1 Press **⏻**.
 - ↳ The soundbar switches to the last selected source.
- 2 Wait for automatic setup of wireless connection between the main unit and subwoofer:
 - ↳ **[PAIRING]** (pairing) flashes.
 - ↳ If the connection succeeds, **[PAIR OK]** (pair OK) and “” are displayed and the blue indicator on the subwoofer lights up.
 - ↳ If the connection fails, **[PAIR FAIL]** (pair fail) is displayed and the green indicator on the subwoofer lights up.
 - ↳ If the wireless connection fails, set up the connection manually.

Switch to standby mode

To switch the soundbar to standby mode:

- 1 Press **⏻**.
 - ↳ The clock (if set) is displayed.

To switch the soundbar to Eco Power Standby mode:

- 1 Press and hold **⏻** to switch the soundbar to Eco Power Standby mode.
 - ↳ The backlight on the display panel turns off.
 - ↳ The blue Eco Power indicator lights up.

Set up wireless connection manually

- 1 In standby mode, press and hold **SOURCE** on the main unit for 3 seconds.
 - ↳ The blue and green indicators on the subwoofer flash alternately.
 - ↳ **[PAIRING]** (pairing) flashes.
- 2 Press and hold **PAIR** on the subwoofer for 3 seconds.
 - ↳ **[PAIR OK]** (pair OK) and “” are displayed and the blue indicators on the subwoofer lights up.
- 3 Turn on the main unit again.

Note

- If the wireless connection fails again, check whether there is any conflict or strong interference (for example, interference from other electronic devices) around your location. After removal of the conflict or strong interference, repeat the above procedures.

4 Play

6 Press OK / ►|| to start play.

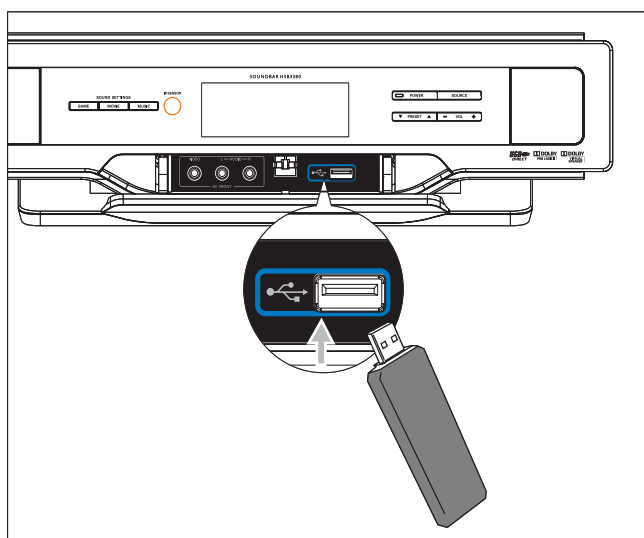
Play an AV source through this soundbar

Note

- Ensure that you have made the necessary AV connections (see 'Connect AV devices' on page 14).


1 Press **AV 1**, **AV 2**, **AV FRONT** or **COAX** to select an AV source.

Play from USB



Note

- Ensure that the USB device contains playable music (see 'USB playability information' on page 27).

- 1 Flip open the cover on the front panel.
- 2 Insert the USB plug of a USB device into the  socket.
- 3 Press **USB** to select the USB source.
↳ The total number of tracks is displayed.
- 4 Press **PRESET/ALB/▲▼** to select a folder.
- 5 Press **◀▶** to select a file.

5 Control USB play

Skip to a track

- 1 Press **PRESET/ALB/▲▼** to select an album (folder).
- 2 Press **◀/▶** to select a track (file).

Pause/resume play

- 1 During play, press **OK / ▶||** to pause/resume play.

Search within a track

- 1 During play, press and hold **◀◀/▶▶**.
- 2 Release to resume normal play.

Repeat play

- 1 During play, press **REPEAT** repeatedly to select:
 - ↳ **[REPEAT]** (repeat): play the current track repeatedly.
 - ↳ **[REPEAT ALL]** (repeat all): play all tracks repeatedly.
 - ↳ **[REPEAT]** (repeat) and **[ALB]** (album): play the current album repeatedly.
- 2 To return to normal play, press **REPEAT** until the selected function is no longer displayed.

Random play

- 1 Press **SHUF**.
 - ↳ All tracks are played randomly.
- 2 To return to normal play, press **SHUF** again.



Tip

- The repeat and shuffle functions cannot be activated at the same time.

Program tracks

You can program a maximum of 20 tracks.

- 1 Press **SET TIME/PROG** to activate the programming mode.
 - ↳ A track number flashes.
- 2 Press **PRESET/ALB/▲▼** to select the album where the track is located.
- 3 Press **◀/▶** to select a track number to program, then press **SET TIME/PROG** to confirm.
 - ↳ **[P-X]** is displayed, where “X” is the next position in the program.
- 4 Repeat steps 2 to 3 to select and store all tracks to program.
- 5 Press **SET TIME/PROG** to complete.
 - ↳ **[PROG]** (program) is displayed.
- 6 Press **OK / ▶||** to play the programmed tracks.
 - To erase the program, press **SET TIME/PROG**.

6 Adjust volume level and sound effect

Adjust volume level

- 1 During play, press **VOL +/-** to increase/decrease the volume level.

Adjust subwoofer volume

- 1 In AV1, AV2, AV FRONT or COAXIAL mode, press **MUSIC MODE/SUBWVOL** to adjust the subwoofer volume.

Select a sound effect



Note

- You cannot use different sound effects at the same time.

Select a game sound effect

- 1 During play, press **GAME SOUND** repeatedly to select:
 - **[SHOOTING]** (sporting)
 - **[SPORT]** (sport)
 - **[RACING]** (racing)
 - **[ARCADE]** (arcade)
 - **[NORMAL]** (normal)

Select a movie sound effect

- 1 During play, press **MOVIE SOUND** repeatedly to select:
 - **[DRAMA]** (drama)
 - **[SCIENCE FICTION]** (science fiction)
 - **[ACTION]** (action)
 - **[CONCERT]** (concert)
 - **[NORMAL]** (normal)

Select a music mode (for USB only)

- 1 During USB play, press **MUSIC MODE/SUBWVOL** repeatedly to select:
 - **[POP]** (pop)
 - **[JAZZ]** (jazz)
 - **[ROCK]** (rock)
 - **[CLASSIC]** (classic)
 - **[NORMAL]** (normal)

Mute sound

- 1 During play, press **MUTE** to mute/unmute sound.

7 Tune to FM radio stations

- 1 Ensure that you have connected and fully extended the supplied FM antenna.
- 2 Press **TUNER**.
- 3 Press and hold **◀▶▶**.
- 4 When **[SEARCH]** (search) is displayed, release the button.
 - ↳ The FM tuner tunes to a station with strong reception automatically.
- 5 Repeat steps 3 and 4 to find more stations.

To tune to a weak station:

- 1 Press **◀▶▶** repeatedly until you find optimal reception.

Program radio stations automatically

Note

- You can program a maximum of 20 preset radio stations.

- 1 Press **PRESET/ALB/▲▼** to select a preset number to start programming.
- 2 Press and hold **SET TIME/PROG** for 2 seconds to activate automatic programming.
 - ↳ **[AUTO]** (auto) is displayed.
 - ↳ All available stations are programmed in the order of waveband reception strength.
 - ↳ The last programmed radio station is played automatically.

Program radio stations manually

Note

- You can program a maximum of 20 preset radio stations.

- 1 Tune to a radio station.
- 2 Press **SET TIME/PROG** to activate programming.
- 3 Press **PRESET/ALB/▲▼** to allocate a number from 1 to 20 to this radio station, then press **SET TIME/PROG** to confirm.
 - ↳ The preset number and the frequency of the preset station are displayed.
- 4 Repeat the above steps to program other stations.

Note

- To overwrite a programmed station, store another station in its place.

Tune to a preset radio station

- 1 Press **PRESET/ALB/▲▼** to select a preset number that you want.

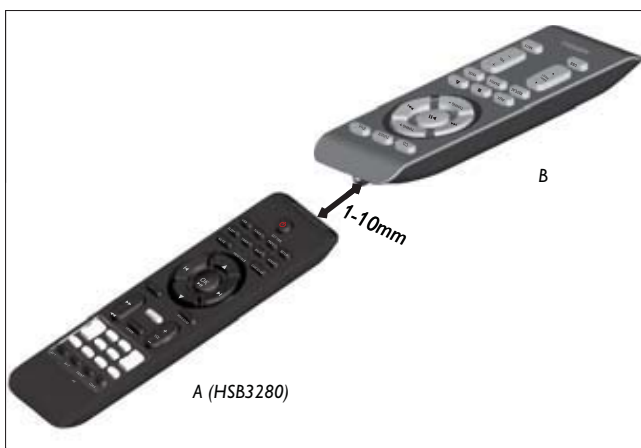
8 Use more of your soundbar

Program remote control

You can store a total of 12 most frequently used functions of other AV devices in the smart remote control. This feature allows you to use only one remote control to operate all of your AV devices.

By default, the remote control codes of a Philips TV are stored in the smart remote control. The available preset buttons are **POWER**, **AV**, **▲CH ▼**, **▲VOL▼**, **MUTE** and **SLEEP**.

- 1 Place the smart remote control (A) within 1mm-10mm distance from the other remote control (B).



- 2 Press **LEARN** for 2 seconds to activate the learning mode.
↳ A blue indicator on the smart remote control (A) lights up.
- 3 Press the button on the other remote control (B) that is to be stored on the smart remote control (A).
↳ If the code is received successfully, the blue indicator flashes.
- 4 Press one of the white learning buttons on the smart remote control (A) to store the code of this button.

↳ If the code is stored successfully, the indicator flashes green for 2 seconds, then turns blue again.

- 5 Repeat steps 3 and 4 to program more buttons on the smart remote control (A).
- 6 Press **LEARN** to exit the learning mode.

Note

- During the learning process, the normal remote control functions are disabled.

Rename an AV source

- 1 Press **AV 1**, **AV 2**, **AV FRONT** or **COAX** to select an AV source you want to rename.
↳ The default name of the selected sound source is displayed.
- 2 Press **SETUP** to activate the renaming mode.
↳ The default name of the selected sound source flashes for 4 seconds.
- 3 Within 2 seconds, press **PRESET/ALB/▲ ▼** to select a name that matches the AV device connected with the current socket from:
 - **[TV]**
 - **[DVD]**
 - **[GAME]** (game)
 - **[SET TOP BOX]** (set top box)
 - **[CABLE]** (cable)
 - **[SATELLITE]** (satellite)

Enable/disable automatic on/standby

This feature only applies to AV devices or TV with audio connection to the soundbar. The soundbar can detect the state of AV devices that are connected through the audio connectors.

When automatic on/standby is enabled:

- If an AV device turns on, the soundbar turns on automatically.

To enable

When the soundbar is turned on, press and hold **SOURCE** on the front panel for more than 2 seconds.

To disable

- 1 When the soundbar is turned on, press and hold **SOURCE** on the front panel for more than 2 seconds again.

Set the alarm timer

- 1 Ensure that you have set the clock correctly.
 - 2 In standby mode, press and hold **TIMER**.
 - ↳ The hour digits are displayed and begin to blink.
 - 3 Press **+VOL -** to set the hour.
 - ↳ The minute digits are displayed and begin to blink.
 - 4 Press **+VOL -** to set the minute.
 - 5 Press **TIMER** to confirm.
 - 6 To activate the wake-up timer, press **+VOL -** to select **[ON]** (on).
 - ↳ A clock icon appears on the display.
 - ↳ The soundbar turns on automatically at the set time and switches to the last selected source.
- To deactivate the alarm timer, select **[OFF]** (off) at step 6.

Set the sleep timer

- 1 When the soundbar is turned on, press **SLEEP** repeatedly to select a set period of time (in minutes).
 - ↳ The soundbar turns off automatically after the set period of time.

9 Product information



Note

- Product information is subject to change without prior notice.

Product information

Specifications

Amplifier

Rated Output Power	180W + 110W (wireless subwoofer) RMS
Frequency Response	40 - 16000 Hz, -3dB
Signal to Noise Ratio	>65dB
AV1, 2 Input	1.0V RMS 20kohm
Front AV Input	1.0V RMS 20kohm
Coaxial Input	0.5V RMS 75ohm
Total Harmonic Distortion	<1%

Tuner (FM)

Tuning Range	87.5 - 108MHz
Tuning grid	50KHz
Sensitivity	<22 dBf - Mono, 26dB S/N Ratio
Search Selectivity	>28dBf
Total Harmonic Distortion	<1%
Signal to Noise Ratio	>55dB

L/R speakers

Speaker Impedance	3ohm (woofer) + 3ohm (tweeter)
Speaker Driver	1.5" woofer+1.5" tweeter
Sensitivity	>82dB/m/W

Subwoofer

Speaker Impedance	3ohm*subwoofer
Speaker Driver	6.5" subwoofer
Sensitivity	>78dB/m/W

General information

AC power	120V, 60Hz
Operation Power Consumption	35W
Standby Power Consumption	<10W
Eco Standby Power Consumption	<1W
USB Direct	Full Speed Ver1.1
Dimensions (W x H x D)	
Main unit and speakers	800 x 90 x 89.7mm
Subwoofer	328 x 302 x 180mm
Weight	
With Packing	9 kg
Main unit and speakers	1.75 Kg
Subwoofer	5 kg

USB playability information

Compatible USB devices:

- USB flash memory (USB 2.0 or USB1.1)
- USB flash players (USB 2.0 or USB1.1)
- memory cards (requires an additional card reader to work with this soundbar)

Supported formats:

- USB or memory file format FAT12, FAT16, FAT32 (sector size: 512 bytes)
- MP3 bit rate (data rate): 32-320 Kbps and variable bit rate
- WMA v9 or earlier
- Directory nesting up to a maximum of 8 levels
- Number of albums/ folders: maximum 99
- Number of tracks/titles: maximum 999
- File name in Unicode UTF8 (maximum length: 128 bytes)

Unsupported formats:

- Empty albums: an empty album is an album that does not contain MP3/WMA files, and is not be shown in the display.
- Unsupported file formats are skipped. For example, Word documents (.doc) or MP3 files with extension .dlf are ignored and not played.
- AAC, WAV, PCM audio files
- DRM protected WMA files (.wav, .m4a, .m4p, .mp4, .aac)
- WMA files in Lossless format

10 Troubleshooting

Caution

- Never remove the casing of this soundbar.

To keep the warranty valid, never try to repair the system yourself.

If you encounter problems when using this soundbar, check the following points before requesting service. If the problem remains unsolved, go to the Philips web site (www.Philips.com/support). When you contact Philips, ensure that your soundbar is nearby and the model number and serial number are available (see 'Get started' on page 13).

No power

- Ensure that the AC adaptor of the main unit is connected properly.
- Ensure that there is power at the AC outlet.

No sound

- Adjust the volume.
- Check that the speakers are connected correctly.
- If there is no sound in the USB mode, ensure that you have connected a USB device that contains playable music.
- If there is no sound in the AV mode, ensure that you have connected AV devices to the soundbar correctly.

Remote control does not work

- Before you press any function button, first select the source with the remote control.
- Reduce the distance between the remote control and the soundbar.
- Insert the batteries with its polarities (+/- signs) aligned as indicated.
- Replace the battery.
- Aim the remote control directly at the sensor on the front of the soundbar.

Wireless connection fails.

- Set up wireless connection manually (see 'Set up wireless connection manually' on page 19).

Poor radio reception

- Increase the distance between the soundbar and your TV or VCR.
- Fully extend the FM antenna.
- Connect an outdoor FM antenna instead.

Cannot display some files in USB device

- The number of folders or files in the USB device has exceeded a certain limit. This phenomenon is not a malfunction.
- The formats of these files are not supported.

USB device not supported

- The USB device is incompatible with the soundbar. Try another one.

Timer does not work

- Set the clock correctly.
- Switch on the timer.

Clock/timer setting erased

- Power has been interrupted or the power cord has been disconnected.
- Reset the clock/timer.

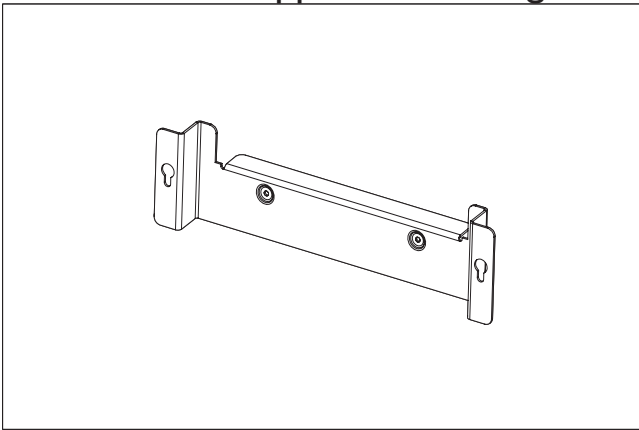
11 Appendix

Mount to a wall

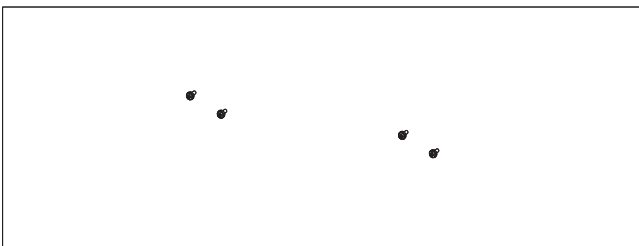
! Caution

- Risk of product damage! Always consult professional personnel to safely mount the product to a wall.
- Risk of injury! Ensure that no supply ducts such as gas, water or electricity are harmed when you drill the holes.

What's in the supplied mounting kit



1 x wall mount bracket for the main unit and speakers



4 x screws

What else you'll need

- Electric drill
- Screwdriver
- Pencil

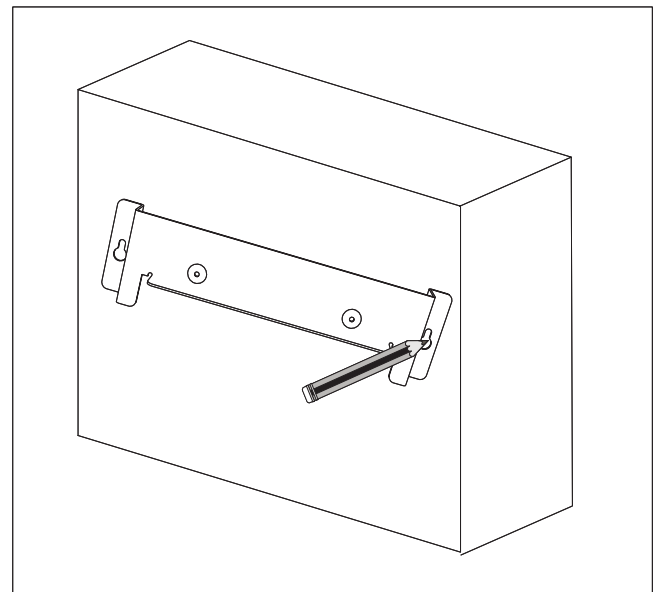
Mount the main unit and speakers

! Caution

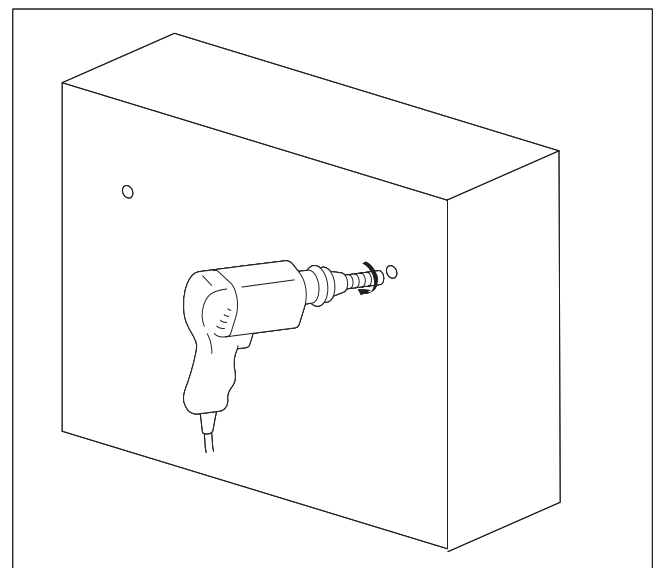
- To find a suitable mounting location, make the necessary physical and wireless connections.
- Mount the main unit and speakers to a solid concrete wall or plaster board wall only!

You can use the supplied bracket to mount the main unit and speakers to the wall.

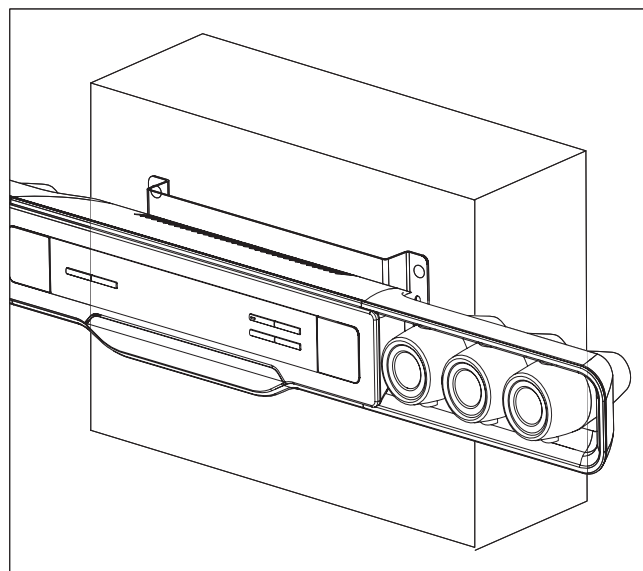
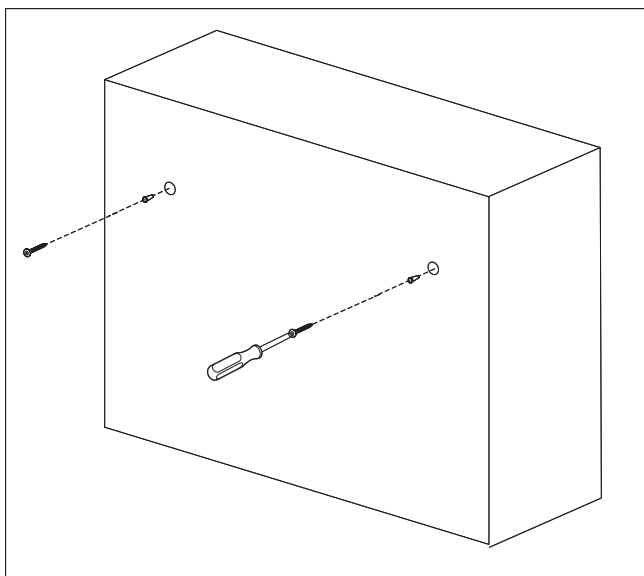
- 1** Align the bracket in the chosen location on a wall. Use a pencil to mark the drilling positions.



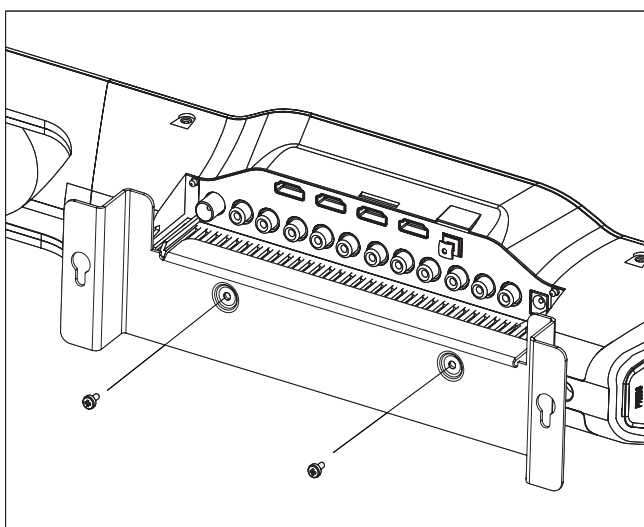
- 2** Drill holes as marked.



- 3** Secure 2 supplied screws in the holes, but leave 5mm between the screw head and the wall.



- 4** Secure the wall mount bracket onto the main unit with 2 supplied screws.



- 5** Hook the main unit and speakers in place.

