

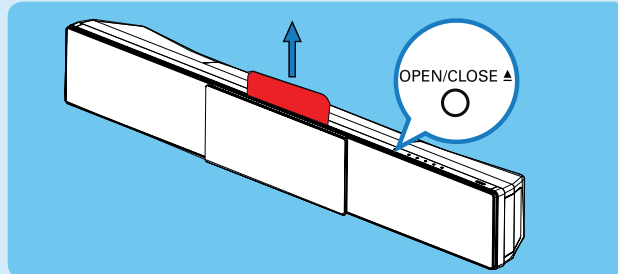
3 Enjoy

Start disc playback

Before you start ...

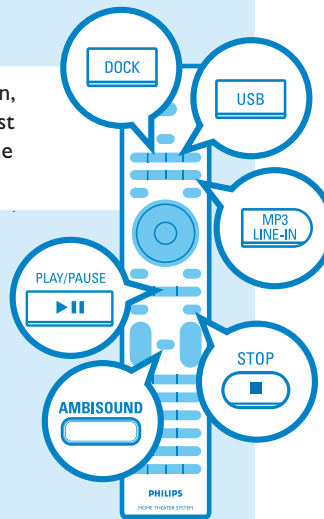
Remove the door-lock tag on top of the disc compartment door.

- 1 Press to open the disc compartment.



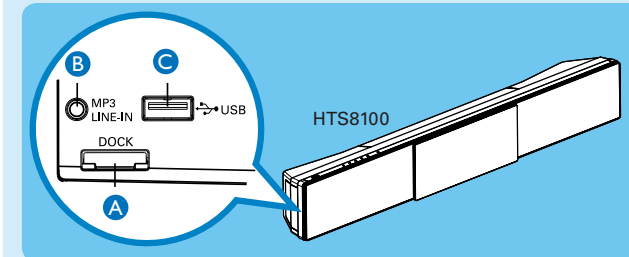
- 2 Place a disc with the disc label facing towards you.
- 3 Press to close the disc compartment.
- 4 Playback starts automatically.
- 5 If the disc menu appears on the TV, use cursor keys to select an option in the menu and press **OK** to start playback.
- 6 Press to stop playback.

Note When you press button, playback resumes from where it last stopped. To start playback from the beginning, you have to press .



Playback other supported devices

The connections to other devices are located at the left side of the main unit.



Apple iPod

- 1 Connect the Philips HTD7001 docking station to **A**.
- 2 Turn on your iPod before you dock it into the correct cradle.
- 3 Press **DOCK** to switch to 'DOCK' mode.
- 4 Press **PLAY** on your iPod.

Note Refer to the accompanying user manual or HTD7001 user manual for more information on video/picture playback.

Other portable audio player

- 1 Use the supplied MP3 LINE-IN cable to connect the headphone output socket on your portable audio player to **B**.
- 2 Press **PLAY** on your portable audio player.
- 3 Press **MP3 LINE-IN** to listen to the playback.

USB device

- 1 Insert your USB device to **C**.
- 2 Press **USB** to switch to 'USB' mode.
- 3 Press to start playback.
- 4 To stop playback, press **DISC** to switch to 'DISC' mode. You can unplug your USB device now.

Need help?

User Manual

See the user manual that came with your Philips DVD Home Theater System.

Online

Go to www.philips.com/usasupport

Hotline

Call 1-888-PHILIPS (1-888-744-5477) for our operators.



2007 © Philips Consumer Electronics
A Division of Philips Electronics North America Corp
P.O. Box 671539 Marietta, GA 30006 0026
All rights reserved.

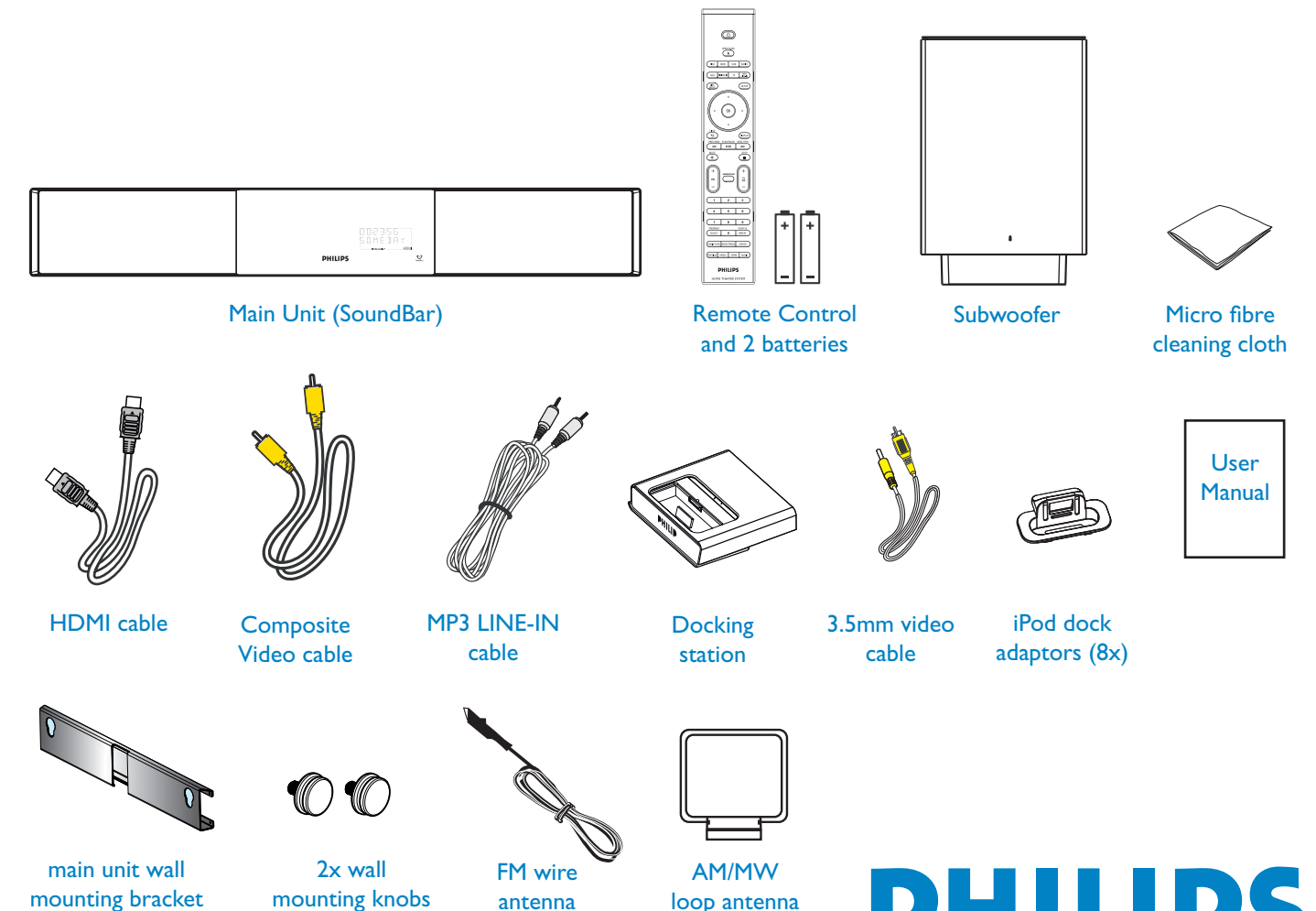
Printed in China
12 NC 3139 245 26042

Quick Start Guide



- 1 Connect
- 2 Set up
- 3 Enjoy

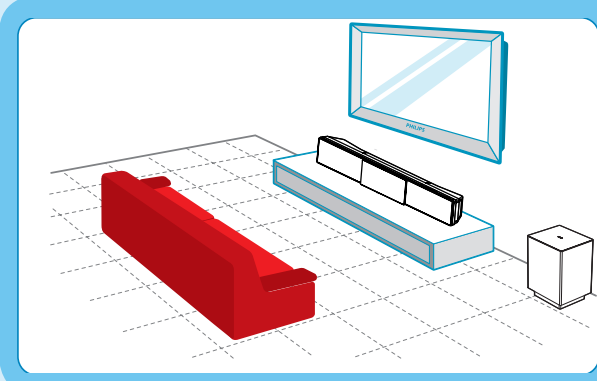
What's in the box?



1 Connect

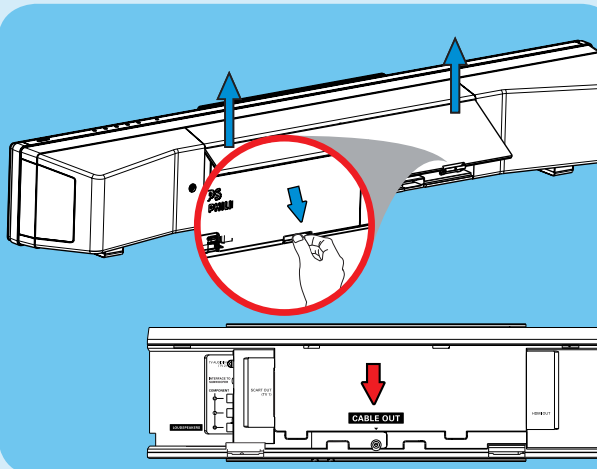
A Placement

Proper speakers system placement is important to ensure optimum sound performance.



- 1 Place the Sound Bar system at the normal listening ear-level, or at least above the knee-level. Face it straight ahead towards the listening area.
- 2 Place the subwoofer on the floor, at least one meter away from the TV.

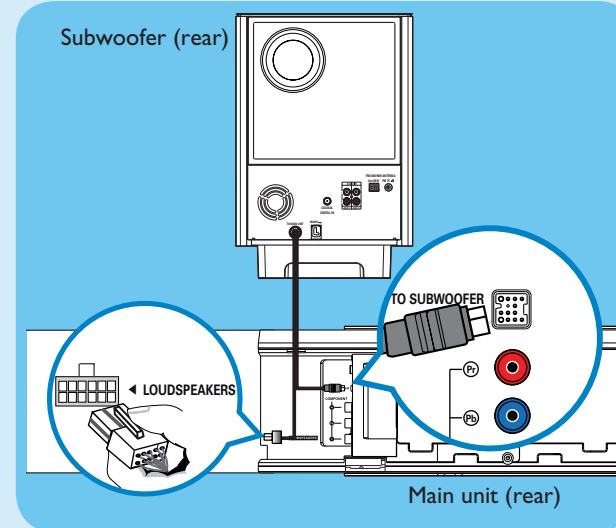
B Preparing for rear connections



- 1 Push up the catches to lift up the rear cover.
- 2 Connect the required cables and direct all the cables to the CABLE OUT point (see the following sections for details.)

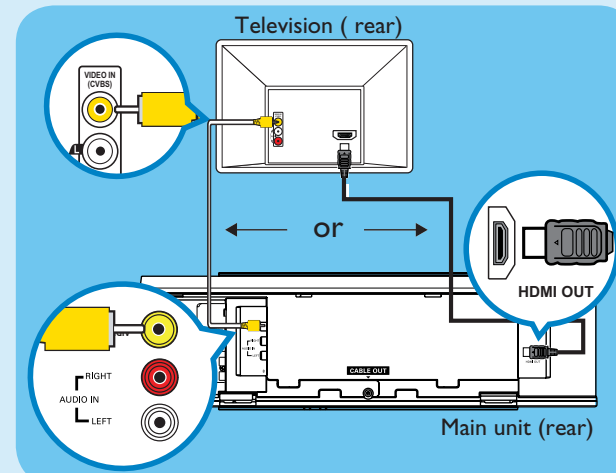
Note All the cables must be placed properly inside the rear panel in order for the rear cover to close.

C Connect the Sound Bar system and subwoofer



- Connect the TO MAIN UNIT cable from the subwoofer to the rear of the main unit. One end connect to TO SUBWOOFER jack and another end connect to LOUSPEAKERS jack.

D Connect the main unit to TV

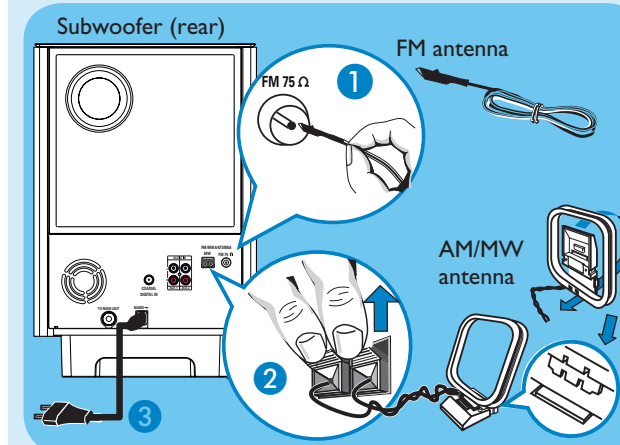


- Connect a composite video cable (supplied) from the VIDEO OUT jack on main unit to the VIDEO IN jack on your TV.
OR
- If your TV supports HDMI, connect the HDMI cable (supplied) from the HDMI OUT to the HDMI IN jack on your TV.

Note It is important to connect the main unit directly to your TV.

E Connect the radio antennas and power cable

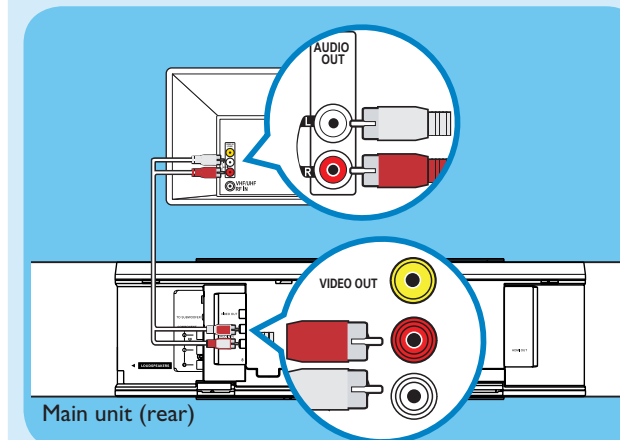
Keep the antennas away from the electronic devices to prevent unwanted interference.



- 1 Connect the FM antenna to the inner pin of the FM 75 Ω socket. Extend the antenna for optimum reception.
- 2 Unfold the AM/MW loop antenna and fix the claw into the slot. Push the tabs and insert the wires into the AM/MW jacks
- 3 Connect the power cable from subwoofer to the AC power outlet.

F Connect audio output from TV (optional)

To hear the TV audio through this home theater system, use the red and white audio cables (not supplied) to connect the AUDIO IN jacks on the main unit to the AUDIO OUT jacks on your TV.



Note Press TV on the remote control to get the sound output from the speakers system when watching the TV program.

2 Set up

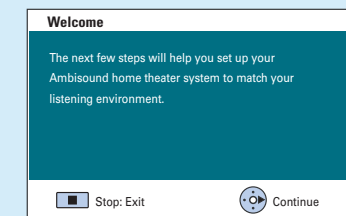
A Finding the viewing channel

- 1 Press **⏻** (STANDBY ON) on the main unit to turn it on.
- 2 Turn on the TV. Use the TV's remote control to select the correct viewing channel.

Note To search for the correct viewing channel, press the Channel Down button on the TV's remote control repeatedly (or AV, SELECT, **⏻** button) until you see the Video In channel. If you are using a RF modulator, set the TV to channel 3 or 4.

B Setting up the speakers

When you turn on this unit for the first time, the speaker setup message appears on the TV. Follow the on-screen instructions to complete the setup.



- 1 Press cursor right key on the remote control to access Sound Bar system setup.
- 2 When the { Orientation } screen appears, press cursor right key to continue.
- 3 Select a most suitable predefined setting according to your room environment and setup, press cursor right key to confirm and go to the next screen.

{ Room Acoustics }

Select the type of walls that surround your room. The default setting is 'Hard (concrete, wood).'

{ Room Placement }

Select the Sound Bar system's placement position in your room. The default setting is 'Middle.'

{ Height }

Select the height at which the Sound Bar system is placed. The default setting is between 0.8~1.2 meters.

{ Distance }

Select the distance between the listening position and the Sound Bar system. The default setting is between 2~3 meters.

- 4 When the { Complete } screen appears, press cursor right key to exit.

Note Refer to the accompanying user manual for other setup options.